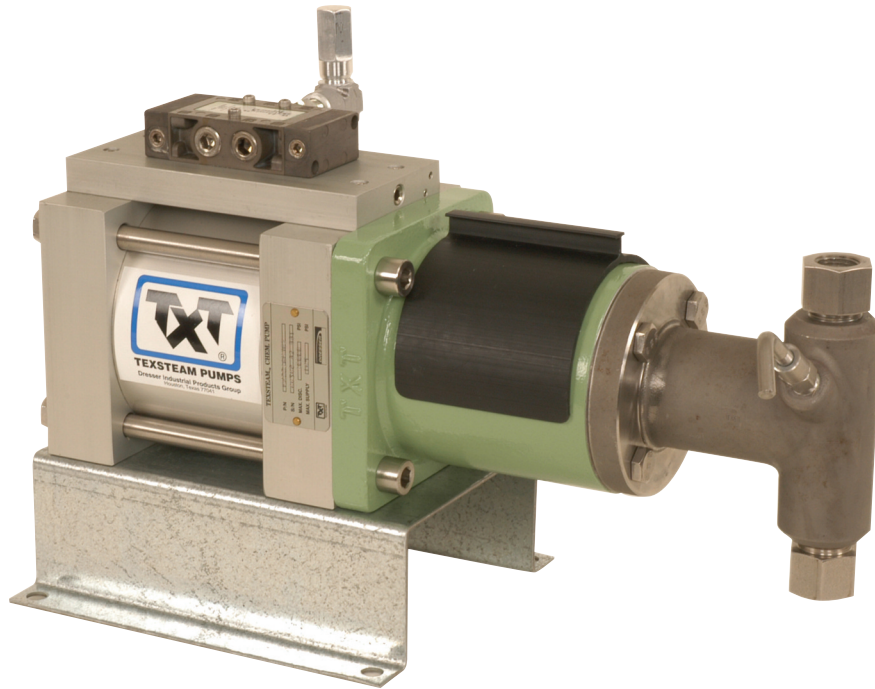


series MX-5

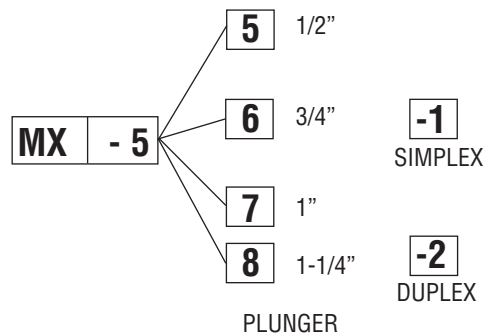
GAS/PNEUMATIC DRIVEN INJECTION PUMP



PRODUCT FEATURES OF THE MX-5

- 1 to 62 GPH
- Duplex Models Available
- No springs in the power cylinder-positive cycle operation
- Adjustable packing allows for planned maintenance
- Easily field serviceable
- Environmentally friendly - able to recycle unused supply gas
- 1 to 60 Strokes Per Minute
- Lightweight
- Wide range of service gas pressure
 minimum – 30 psi
 maximum – 145 psi
- Option of ceramic plungers - longer life on the plunger and packing
- Variety of packing allows for many chemical compatibilities

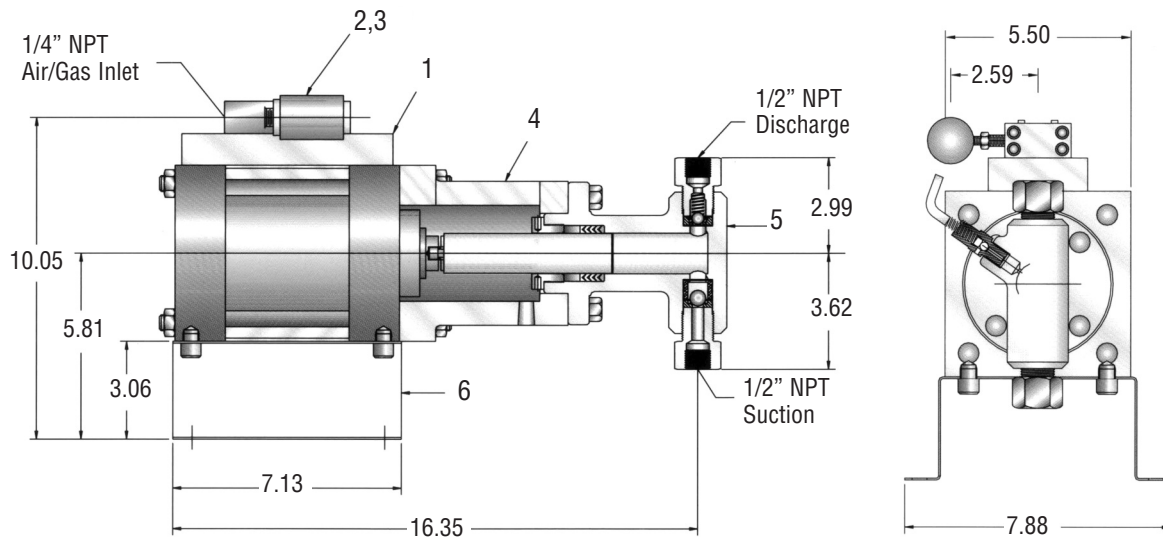
MODEL NOMENCLATURE



PACKING/SEAL MATERIAL SELECTION

Material	Temp. Range	Suggested Pressure Range	Comments
Buna	-40° to 200°F	0-5000 PSI	Soft material – fair wear resistance – used mainly for methanol service
Viton®	-10° to 200°F	0-5000 PSI	Broad chemical compatibility, but not used with ethyl or methyl alcohols
Teflon®	-30° to 180°F	0-3000 PSI	Tough material with very good wear resistance. Excellent chemical inertness
HP Buna	-40° to 200°F	to 10,000 PSI	Very good high pressure capability
HP Viton®	-10° to 200°F	to 10,000 PSI	Very good high pressure capability

SIMPLEX DIMENSIONS



PARTS LIST

Item	Part No.	No. Reqd.	Name	Material
1	TB-1641	1	Power Unit-SPLX	
2	TA-6320	1	Nipple	SST
3	TA-5851	1	Speed Control Valve	Aluminum
4	TC-2141	1	Yoke	Aluminum
5		1	Fluid End Body Assembly	CF8M
6	TB-1644	1	Mounting Bracket	16 GA Galv. Steel
7	TB-1643	1	Yoke Cover (not shown)	Plastic

MATERIALS

Fluid End Assembly

Body	316 SS
Plunger	17-4 SS Ceramic
Packing Gland	303 SS
Packing Nut	303 SS
Check Valve Balls	316 SS
Priming Valve	303 SS

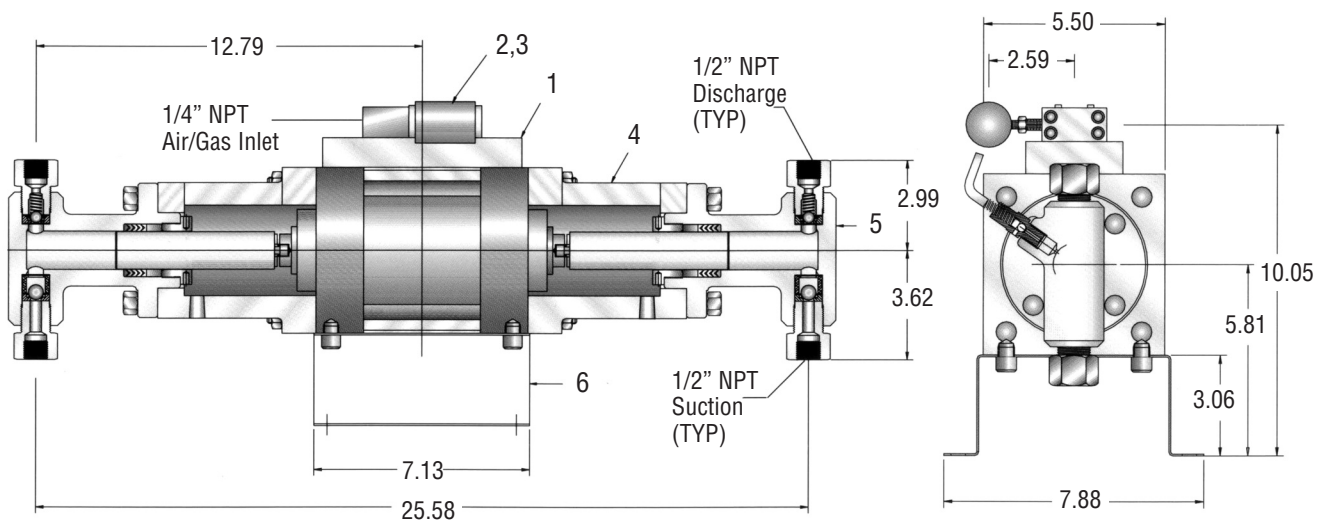
Power Unit Assembly

Nipple	SST
Speed Control Valve	Aluminum
Yoke	Aluminum
Mounting Bracket	16 GA Galv. Steel
Yoke Cover	Plastic

PARTS LIST

Item	Part No.	No. Reqd.	Name	Material
1	TB-1642	1	Power Unit-DPLX	
2	TA-6320	1	Nipple	SST
3	TA-5851	1	Speed Control Valve	Aluminum
4	TC-2141	1	Yoke	Aluminum
5		2	Fluid End Body Assembly	CF8M
6	TB-1644	1	Mounting Bracket	16 GA Galv. Steel
7	TB-1643	1	Yoke Cover (not shown)	Plastic

DUPLEX DIMENSIONS



PERFORMANCE

MODEL	SIMPLEX GPH/LPH		DUPLEX GPH/LPH		PRESSURE PSI/BARG	VOLUME PER STROKE	MAX. AIR CONSUMPTION 100 PSIG 6.9 BAR	
	MAX	MIN	MAX	MIN	MAXIMUM	CC	SCF/DAY	SCM/DAY
MX55 1/2" Plunger @ 50 PSI/3.45 BAR	5.2/19.7	1.04/3.9	10.4/39.4	1.9/7.2	4500/310	2.99	6114	173.1
@100 PSI/6.9 BAR	5.4/20.5	.4/1.5	10.4/39.4	1.9/7.2	8500/586	5.98		
@145 PSI/10 BAR	5.4/20.5	.9/3.4	10.4/39.4	1.9/7.2	10000/690	8.67		
MX56 3/4" Plunger @ 50 PSI/3.45 BAR	12.9/49	2.1/7.9	23/87	3.75/14.2	2000/138	6.73	6836	193.6
@100 PSI/6.9 BAR	12.9/49	2.1/7.9	23/87	3.75/14.2	4000/276	13.46		
@145 PSI/10 BAR	12.9/49	2.1/7.9	23/87	3.75/14.2	6000/414	19.52		
MX57 1" Plunger @ 50 PSI/3.45 BAR	23/87	9.4/35.6	42/159	14.6/55.3	1150/79	11.97	7451	211
@100 PSI/6.9 BAR	23/87	7.3/27.7	42/159	12.5/47.4	2250/155	23.93		
@145 PSI/10 BAR	23/87	9.4/15.9	42/159	15.8/59.9	3250/224	34.7		
MX58 1-1/4" Plunger @ 50 PSI/3.45 BAR	34/128	14.6/55.3	62.5/237	27/102.3	750/51	18.7	8850	250.6
@100 PSI/6.9 BAR	34/128	12.5/47.3	62.5/237	23/87	1400/96	37.4		
@145 PSI/10 BAR	34/128	15.8/59.8	62.5/237	29/109.9	2000/138	54.23		

Ordering Notes:

- Stroke Length all models – 2"
- Stroke Speed all models – 1 - 60 SPM
- Packing/Seal recommendations constitute no guarantee – for questionable applications contact Texsteam Engineering
- All MX-5 Pumps should be mounted in the horizontal position – pump mounts are included with each unit

® Teflon and Viton are registered Trademarks of Dupont

Texsteam Pumps Dresser, Inc.

16240 Port Northwest Drive
Houston, Texas 77041-2645 USA
Ph: 832.590.2306
Toll Free Phone: 800.945.9898

Fax: 713.849.2879
Email: txtpumps@dresser.com



www.dresser.com