

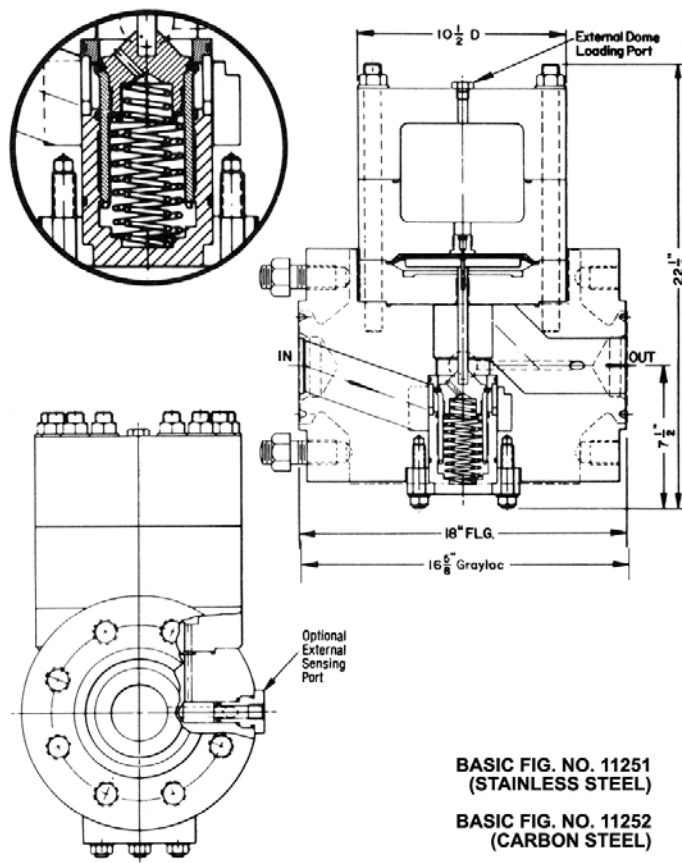
Model 411B

Powreactor Dome Regulator for Pressure Reducing Service; 6000 psi Pressure Rating; Stainless Steel & Carbon Steel; 2 1/2" Balanced Valve; Flanged End

General Specifications

Inlet Pressure Maximum: 6000 psi
 Outlet Pressure Maximum: 6000 psi
 External Dome Loading Connection: 1/2" MS-16142
 Internal Sensing (External Sense options available)
 End Connections: ANSI FLG & Grayloc
 Size: See Table Below
 Weight: 900 lbs. (Approx.)

| Material Specifications | | |
|---|----------------------|-----------------------------------|
| Description | Fig. 11251 | Fig. 11252 |
| Body | T347-CReS | Carbon Steel Elect. Nickel Coated |
| Dome | T304-CReS | Carbon Steel Elect. Nickel Coated |
| Seat Seal | Teflon | Teflon |
| Trim | T303 & 17/4 PH CReS | T303 & 17/4 PH CReS |
| Plastics | See Code Table Below | See Code Table Below |
| Line Flange Bolting Set - Alloy Steel - Zinc Plated | | |



BASIC FIG. NO. 11251 (STAINLESS STEEL)

BASIC FIG. NO. 11252 (CARBON STEEL)

Ordering Information

Order by Model Number and Complete Coded Figure Number. See Example Below.

| End Connections | |
|---|-------|
| Size | Code |
| 4" x 4" ANSI 2500 #RTJ Flange | CJ14 |
| 4" GR31 Inlet 4" GR31 Outlet Grayloc Fig. | H1431 |

| Orifice | | |
|-------------------|------|------|
| Size | "C"* | Code |
| 2 1/2" Bal. Valve | 69.0 | 9 |

| Diaphragm Material Temperature Range Code | | | |
|---|-----------------------|---------------|------|
| Rubber Parts | Operating Temp. Range | Super Cleaned | Code |
| Nitrile | -65°F to +165°F | No | A** |
| EPDM | -65°F to +165°F | No | H |
| Viton A | 0°F to +165°F | No | P |

| Basic Fig. No. | | | |
|----------------|-------|---|---|
| 11251 | H1431 | 9 | A |

EXAMPLE: Fig No. 11251H14319A describes a stainless steel model 411B with 4" GR31 flanges and nitrile diaphragm & O-rings

* "C" values are maximum (wide open). For flow rate determination refer to capacity chart in Powreactor Bulletin.
 ** Most Applications can be satisfied by specifying code A materials.

RedQ

Dresser, Inc.

2822 S. 1030 W.
 Salt Lake City, Utah 84119
 Phone: 801.487.2225 Fax: 801.487.2587
 www.mooneycontrols.com

