

Model 402F & 412F

Powreactor Dome Regulator for Pressure Reducing Service: 3600 psi & 6000 psi
Pressure Rating: Carbon Steel

General Specifications

Control Pressure is Adjustable to any Level up to Max. Outlet Rating
 Internally Dome Loaded thru Integral Needle Valves
 External Dome Loading Connections: 1/8" FNPT
 Internal Sensing
 End Connections: 2" FNPT & 1 1/2" FNPT
 Weight: 85 lbs. (Approx.)

Material Specifications

Body: Electroless Nickel Coated Carbon Steel
 Dome: Electroless Nickel Coated Carbon Steel
 Trim: 18/8 CReS& 17/4PH CReS
 Plastic Parts: See Coding Table

Plastic Parts & Cleaning					
Valve Seat Seal	Seat Gasket	Rubber Parts	Operating Temp. Range	Super-Cleaned	Code
PCTFE	PCTFE	Nitrile	-65°F to +165°F	No	A

Ordering Information

Order by Model Number and Complete Coded Figure Number.
 See Example Below.

Figure Number	Model Number	Max. Inlet Pressure	Max. Outlet Pressure	End Connection	Orifice Size	Max C**
11040P106	402F	3600	3000	2" FNPT	1/2"	4.0
11040P107	402F	3600	3000	2" FNPT	3/4"	10.0
11040P108	402F	3600	3000	2" FNPT	1"	12.0
11311P109	412F	3600	3000	2" FNPT	1 1/2"	20.0
11041P86	402F	6000	3000	1 1/2" FNPT	1/2"	4.0
11041P88	402F	6000	3000	1 1/2" FNPT	1"	12.0

EXAMPLE: Fig No. 11251H14319A describes a stainless steel model 411B with 4" GR31 flanges and nitrile diaphragm & O-rings

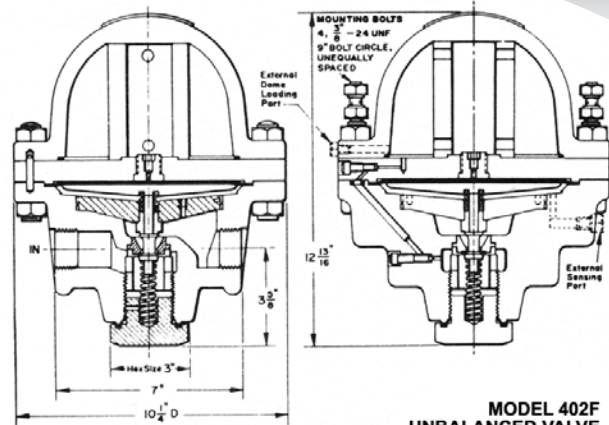
** "C" values are maximum (wide open). For flow rate determination refer to capacity chart in Powreactor Bulletin

*** Most Applications can be satisfied by specifying code A materials.

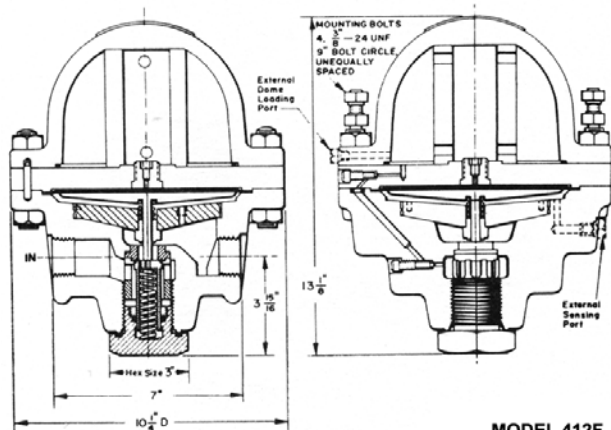
RedQ

Dresser, Inc.

2822 S. 1030 W.
 Salt Lake City, Utah 84119
 Phone: 801.487.2225 Fax: 801.487.2587
 www.mooneycontrols.com



MODEL 402F
UNBALANCED VALVE
BASIC FIG. NO. 11040, 3600 psi INLET
BASIC FIG. NO. 11041, 6000 psi INLET



MODEL 412F
BALANCED VALVE - 1 1/2" ORIFICE ONLY
BASIC FIG. NO. 11311, 3600 psi INLET

