

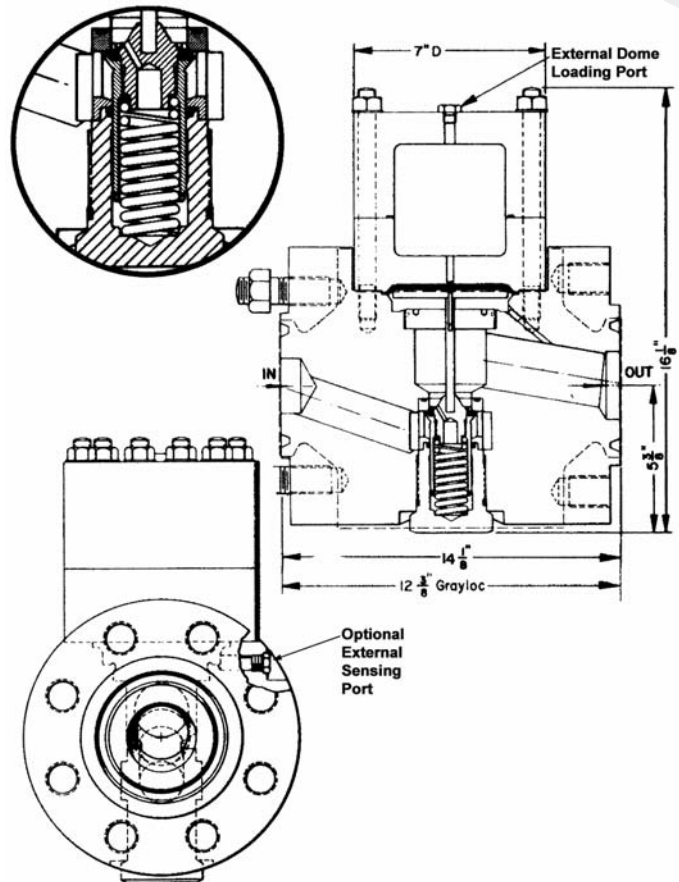
Model 311B

**Powreactor Dome Regulator
for Pressure Reducing Service; 6000 psi
Pressure Rating; Stainless Steel & Carbon Steel;
1-1/2" Balanced Valve; Flanged End**

General Specifications

Inlet Pressure Maximum: 6000 psi
 Outlet Pressure Maximum: 6000 psi
 External Dome Loading Connection: 1/4" MS-16142
 Internal Sensing (External Sense options available)
 End Connections: ANSI FLG & Grayloc
 Size: See Table Below
 Weight: 306 lbs. (Approx.)

Material Specifications		
Description	Fig. 11245	Fig. 11246
Body	T347-CReS	Carbon Steel Elect. Nickel Coated
Dome	T304-CReS	Carbon Steel Elect. Nickel Coated
Seat Seal	Teflon®	Teflon®
Trim	T303 & 17/4 PH CReS	T303 & 17/4 PH CReS
Plastics	See Code Table Below	See Code Table Below
Line Flange Bolting Set - Alloy Steel - Zinc Plated		



Ordering Information

Order by Model Number and Complete Coded Figure Number.
See Example Below.

End Connections	
Size	Code
3" x 3" ANSI 2500 #RTJ Flange	CJ12
2 1/2"-3" GR25 Inlet 4" GR31 Outlet	H1225H1431

Orifice		
Size	"C"***	Code
1 1/2" Bal. Valve	26.0	9

Diaphragm Material Temperature Range Code			
Rubber Parts	Operating Temp. Range	Super Cleaned	Code
Nitrile	-65°F to +165°F	No	A*
EPDM	-65°F to +165°F	No	H
Viton A	0°F to +165°F	No	P

* Most applications can be satisfied by specifying Code A materials.

Basic Fig. No.			
11245	H1225H1431	9	A

Figure 11245H1225H14319A describes a Model 311B, stainless steel, 2 1/2" GR25 Grayloc inlet & 4" GR31 Grayloc outlet, nitrile diaphragm & O-rings not supercleaned.

*** "C" values are maximum (wide open). For flow rate determination refer to capacity chart in Powreactor Bulletin.

RedQ

Dresser, Inc.

2822 S. 1030 W.
 Salt Lake City, Utah 84119
 Phone: 801.487.2225 Fax: 801.487.2587
 www.mooneycontrols.com

