

Model 202F

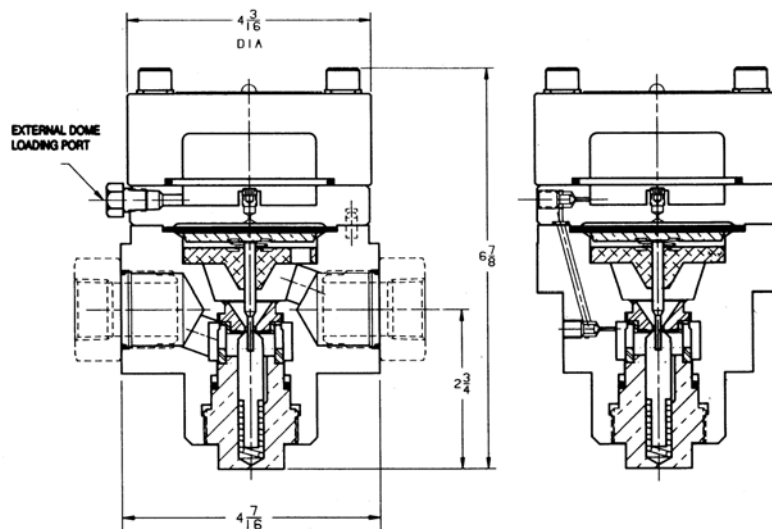
Powreactor Dome Regulator for Pressure Reducing Service; 3500 psi Pressure Rating; Bronze

General Specifications

Control Pressure is Adjustable to any level up to
Max. Outlet Rating
Internally Dome Loaded thru Integral Needle Valves
Alternate External Dome Loading Connection:
1/8" FNPT
Internal Sensing
End Connections (see chart)
Weight: 12 lbs. (Approx.)

Material Specifications

Body: Aluminum Bronze
Dome: Brass
Trim: 18/8 CReS
Valve Seat Seal, Seat Gasket, and Diaphragm:
(See Code Chart Below)



Ordering Information

Use basic Figure Number and complete the Figure Number by adding coded data as in the example below.

End Connections		End Connection		Orifice			Diaphragm Material Temperature Range Code					
Size	Code	Size	Code	Size	"C"*	Code	Valve Seat Seal	Seat Gasket	Rubber Parts	Operating Temp. Range	Super Cleaned	Code
FNPT	P	1/2"	04	3/16"	0.7	5	PCTFE	PCTFE	Nitrile	-65°F to +165°F	No	A**
MS-33649 -16	L	3/4"	05	1/4"	1.2	6	Kynar	PCTFE	EPDM	-65°F to +165°F	No	H
MS-16142	M	1.0"	06	5/16"	1.5	7	PCTFE	PCTFE	Viton A	0°F to +165°F	No	P
				3/8"	2.4	8						
				1/2"	3.4	9						

Basic Fig. No.				
11568	P	06	8	A

Figure 11568P068A describes a 3500 psi (aluminum bronze) regulator having a 3/8" orifice, 1" FNPT end connection - suitable for a temperature range of -65°F to +165°F not supercleaned.

* Capacity Factors "C" are maximum (wide open). For flow rate determination, refer to capacity chart in Powreactor Bulletin.

** Most Applications can be satisfied by specifying code A materials.

RedQ

Dresser, Inc.

2822 S. 1030 W.
Salt Lake City, Utah 84119
Phone: 801.487.2225 Fax: 801.487.2587
www.mooneycontrols.com

