

Model 202B & 212B

Powreactor Dome Regulator for Pressure Reducing Service: 6000 psi Pressure Rating: Stainless Steel

**Basic Figure No. 11128 (3/16" Balanced Valve)
11127 (Unbalanced Valve)**

General Specifications

Inlet Pressure Maximum: 6000 psi
 Outlet Pressure Maximum: 6000 psi
 Internally Dome Loaded thru Integral Needle Valves
 Alt. Ext. Dome Loading Conn. -1/4" MS-16142
 Internal Sensing
 Alt. Ext. Sense Conn. -3/8" MS-16142
 Weight: 32 lbs. Approx.

Material Specifications

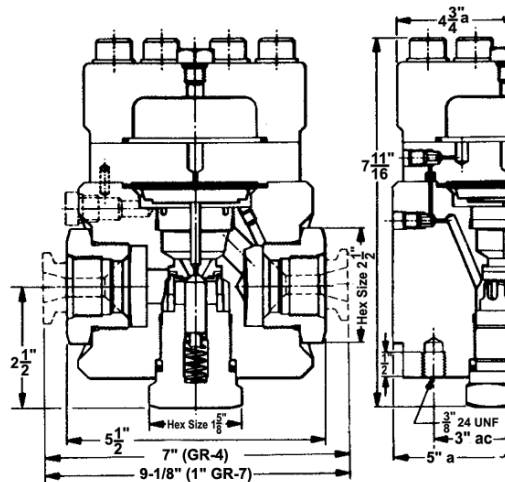
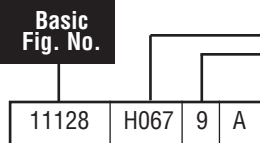
Body & Dome: T-304 CReS Barstock
 Trim: 18/8 CReS & 17/4PH CReS
 Plastic Parts: See Coding Tables

Ordering Information

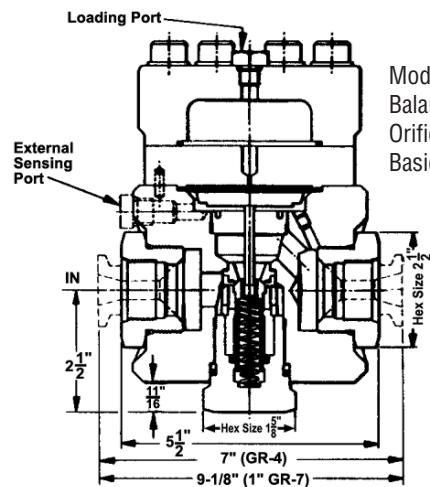
Order by model number and complete coded figure number.
 See example below.

End Connections	
Size	Code
1/2" & 3/4" GR-4 Grayloc	H044
1" GR-7 Grayloc	H067
1 1/2" GR-14 Grayloc	H0814
1/2" FNPT	P04
1/2" MS-33649	L04
1" FNPT	P06
1" MS-33649	L06

Orifice		
Size	"C" ¹	Code
1/4"	1.4	6
3/8"	2.3	8
1/2" Bal Valve (2)	4	9



Model 202B
Unbalanced Valve
Basic Fig.
No. 11127



Model 212B
Balanced Valve 1/2"
Orifice Only
Basic Fig. No. 11128

Diaphragm Material Temperature Range Code					
Valve Seat Seal	Seat Gasket	Rubber Parts	Operating Temp. Range	Super Cleaned	Code
PCTFE	PCTFE	Nitrile	-65°F to +165°F	No	A
Kynar	PCTFE	EPDM	-65°F to +165°F	No	H
PCTFE	PCTFE	Viton A	0°F to +165°F	No	P

Figure 11128H0679A describes a stainless Model 212B with 1" GR7 end connections, Nitrile diaphragm & "O" Rings not supercleaned.

¹The "C" valve is maximum (wide open). For flow rate determination refer to capacity chart in Powreactor Bulletin 123-E.

RedQ

Dresser, Inc.

2822 S. 1030 W.
 Salt Lake City, Utah 84119
 Phone: 801.487.2225 Fax: 801.487.2587
 www.mooneycontrols.com

