

Model 112BR

Powreactor Dome Regulator for Pressure Reducing & Relief
Service: 6000 psi Pressure Rating: Stainless Steel

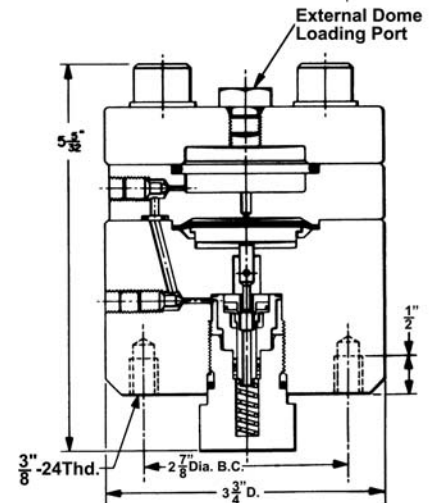
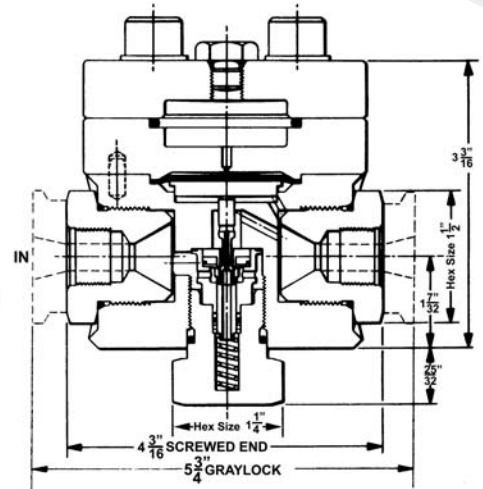
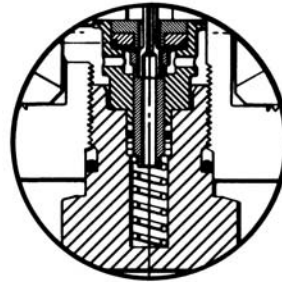
Basic Figure No. 11301 (3/16" Balanced Valve)

General Specifications

Inlet Pressure Max: 6000 psi
 Outlet Pressure Max: 6000 psi
 Internally Sensing
 End Connections: See Ordering Info.
 Relief Port: 1/4" MS-16142
 Weight: 16 lbs. (Approx.)

Material Specifications

Body & Dome Material: T-304 CReS
 Trim Material: 18/8CReS & 17/4PH CReS
 Relief Valve System Material: Kel-F
 Valve Seat: Telfon
 Plastic Parts: See Coding Table



Ordering Information

Order by Model Number and Complete Coded Figure Number.
 Complete the Figure Number by Adding the Code Letter
 Corresponding to Desired Plastic Parts and Cleaning.

Material Specifications			
Rubber Parts	Operating Temp. Range	Super Cleaned	Code
Nitrile	-65°F to +165°F	No	A*
EDPM	-65°F to +165°F	No	H
Viton A	0°F to +165°F	No	P

Basic Fig. Number	End Connection	Orifice Size	"C" (Max.) ¹
11301P049	1/2" FPNT	3/16"	0.5
11301L049	1/2" Tube (MS-33649-8)	3/16"	0.5
11301H0449	1/2" & 3/4" GR4 Grayloc	3/16"	0.5

Figure no. 11301H0499A describes a 112BR with 1/2" GR4 end connections, Nitrile diaphragm & "O" Rings not supercleaned.

¹ The "C" valve is maximum (wide open). For flow rate determination refer to capacity chart in Powreactor Bulletin 123-E.

* Most applications can be satisfied by specifying Code A materials.

RedQ

Dresser, Inc.

2822 S. 1030 W.
 Salt Lake City, Utah 84119
 Phone: 801.487.2225 Fax: 801.487.2587
 www.mooneycontrols.com

