

## Model 112B

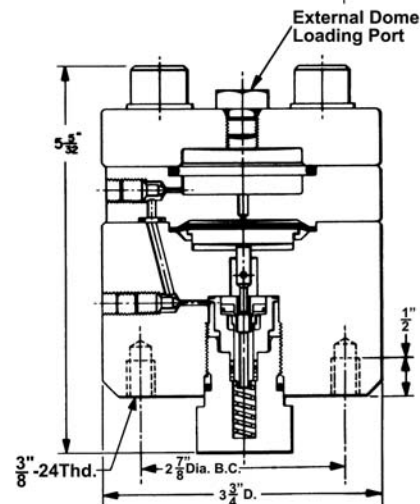
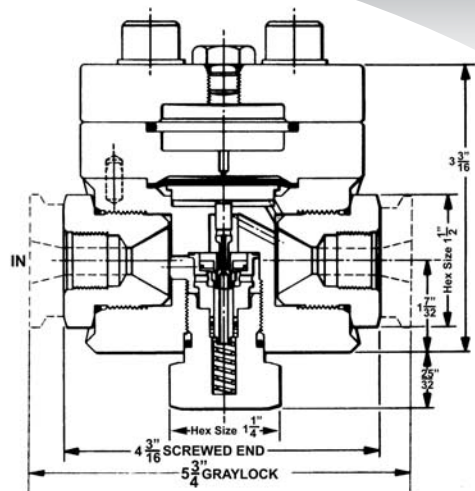
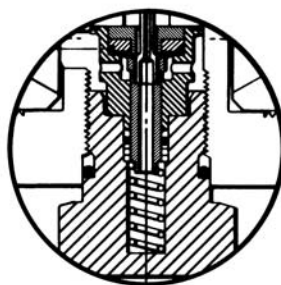
**Powreactor Dome Regulator  
for Pressure Reducing Service; 6000 psi  
Pressure Rating; Aluminum Alloy & Stainless Steel**

**Basic Figure No. 11220 (Aluminum Alloy)**

**Basic Figure No. 11221 (Stainless Steel)**

### General Specifications

Inlet Pressure Maximum: 6000 psi  
 Outlet Pressure Maximum: 6000 psi  
 Internally Dome Loaded thru Integral Needle Valves  
 Ext. Dome Loading Conn. -1/4" MS-16142 Internal Sensing  
 End Connections: FNPT, MS-33649-8, Grayloc  
 Weight: 6 lbs. (Aluminum); 15 lbs. (Stainless)



### Material Specifications

Description	Fig. 11220	Fig. 11221
Body	Aluminum Alloy	T-304 CReS
Dome	Aluminum Alloy	T-304 CReS
End. Conn Busing	T-304 CReS	T-304 CReS
Seat	Teflon	Teflon
Trim	18/8 & 17/4PH CReS	18/8 & 17/4PH CReS
Plastics	See Code Table Below	See Code Table Below

### Ordering Information

Order by Model Number and Complete Coded Figure Number. See Example Below.

Basic Fig. No.	End Connections	
	Size	Code
11221	1/2" FNPT	P04
	1/2" MS-33649-8	L04
	1/2" & 3/4" GR4 Grayloc	H044

Orifice		
Size	C'	Code
3/16" Bal Value	0.5	9

Plastic Parts & Cleaning			
Rubber Parts	Operating Temp Range	Super (1) Cleaned	Code
Nitrile	-65°F to +165°F	No	A*
EDPM	-65°F to +165°F	No	H
Viton A	0°F to +165°F	No	P

11221 H044 9 A

Figure 11221H044 9A describes a stainless Model 112B with 1/2" GR4 end connections, Nitrile diaphragm & "O" Rings not supercleaned.

<sup>1</sup> The "C" valve is maximum (wide open). For flow rate determination refer to capacity chart in Powreactor Bulletin.

\* Most applications can be satisfied by specifying Code A materials.

### RedQ

#### Dresser, Inc.

2822 S. 1030 W.  
 Salt Lake City, Utah 84119  
 Phone: 801.487.2225 Fax: 801.487.2587  
 www.mooneycontrols.com

