

Mity-Mite Model 94 Pressure Reducing Service Aluminum Alloy & Stainless Steel

General Specifications

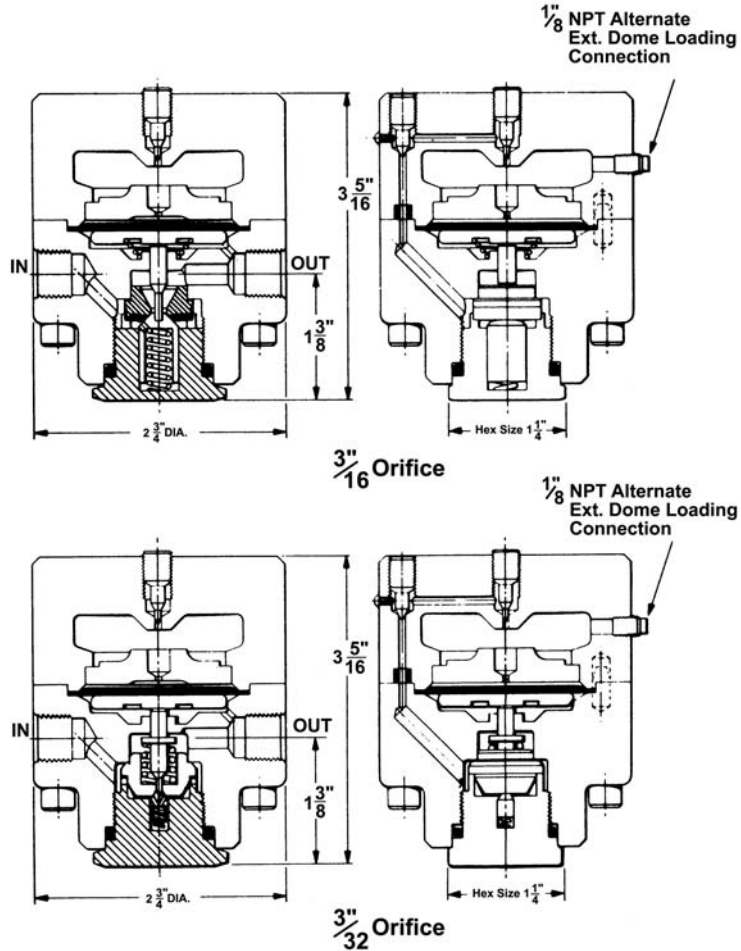
Max Inlet Pressure....5000 psi
Max Outlet Pressure....3000 psi

Weight Aluminum....1.6 lbs

Stainless Steel...4.6lbs

Flow Capacity See capacity charts in Mity Mite brochures

Note Only Available with 1/4" End Connections



Ordering Information

Part	Figure Number	
	11486	11233
Body & Dome	Alum. Alloy	18-8 CReS
Trim	T416 CReS	17-4PH CReS

Orifice		
Size	Cv	Code
3/16	0.6	None
3/32	0.1	8

Trim Codes					
Code	Material				
	Super Clean	Valve or Valve Seat	Seat Gasket	Rubber Goods	Temp. Range
STD	B	Nylon	PCTFE	Nitrile	0°F to +165°F
A*	B	Nylon	PCTFE	Nitrile	0°F to +165°F
C	D	Nylon	PCTFE	Nitrile	-65°F to +165°F
E	F	PCTFE	PCTFE	Nitrile	-0°F to +165°F
G	H	PCTFE	PCTFE	Nitrile	-65°F to +165°F

End Connections	
Type	Code
1/4" NPT	P2*
1/4" MS33649	L2

* Consult REDQ Regulator sales for applications that require Super Cleaning.

11486 P2 8 C

RedQ Dresser, Inc.

2822 S. 1030 W.
Salt Lake City, Utah 84119
Phone: 801.487.2225 Fax: 801.487.2587
www.mooneycontrols.com

