

Mity-Mite Model 91

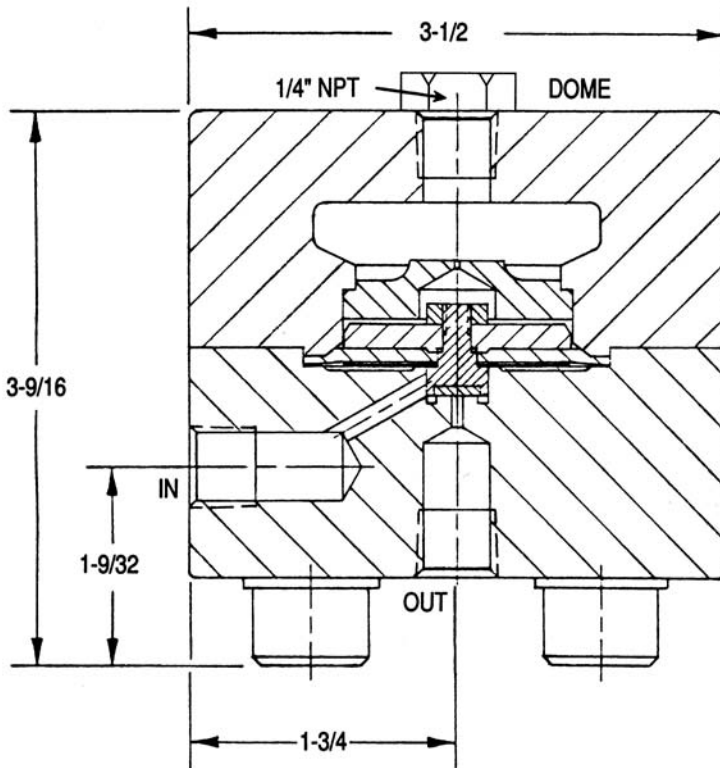
Back Pressure Service; Stainless Steel

Model 91 Series

End Connections - 1/4" FNPT

Inlet Control Pressure Range - 60-6000 PSI

Model Number	Figure Number	Body	Material Dome	Diap.	Temperature Range	Max Cv	Wt. Approx.
91	M12519-G	T-316SS	T-316SS	VITON	0°F to +200°F	0.12	8.0 lbs



For flow capacity refer to Mity-Mite Brochure

RedQ

Dresser, Inc.

2822 S. 1030 W.

Salt Lake City, Utah 84119

Phone: 801.487.2225 Fax: 801.487.2587

www.mooneycontrols.com

