

Mity-Mite Model 90 & 91

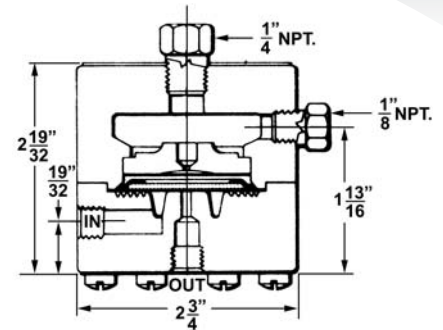
Regulator for Back Pressure Service Aluminum Alloy & Stainless Steel

Model 90W Series

End Connections - 1/4" FNPT

Inlet Control Pressure Range - 10-2000 PSI

Model Number	Figure Number	Material			Temperature Range	Max Cv	Wt. Approx.
		Body	Dome	Diap.			
90W	10448	Al. Alloy	Al. Alloy	Nitrile	0°F to +165°F	0.44	1.6 lbs
S90W	11508	T-316SS	T-316SS	VITON	0°F to +200°F	0.44	4.0 lbs
SD90W	11521	T-316SS	Al. Alloy	VITON	0°F to +200°F	0.44	2.5 lbs

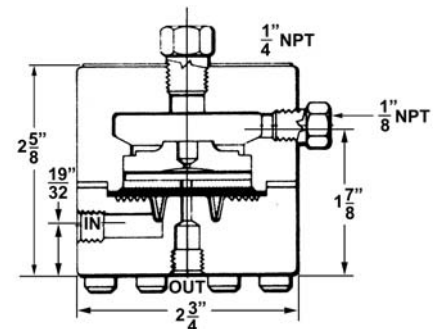


Model 91W Series

End Connections - 1/4" FNPT

Inlet Control Pressure Range - 100-2000 PSI

Model Number	Figure Number	Material			Temperature Range	Max Cv	Wt. Approx.
		Body	Dome	Diap.			
91W	10454	Al. Alloy	Al. Alloy	Teflon	-65°F to +200°F	0.38	1.6 lbs
S91W	11505	T-316SS	T-316SS	Teflon	-65°F to +200°F	0.38	4.0 lbs
SD91W	11523	T-316SS	Al. Alloy	Teflon	-65°F to +200°F	0.38	2.5 lbs

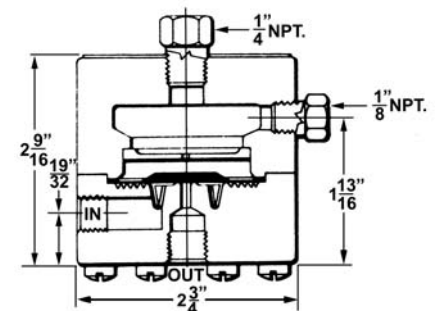


Model 91LW Series

End Connections - 1/4" FNPT

Inlet Control Pressure Range - 25-400 PSI

Model Number	Figure Number	Material			Temperature Range	Max Cv	Wt. Approx.
		Body	Dome	Diap.			
91LW	10451	Al. Alloy	Al. Alloy	Teflon	-65°F to +200°F	0.44	1.6 lbs
S91LW	11504	T-316SS	T-316SS	Teflon	-65°F to +200°F	0.44	4.0 lbs
SD91LW	11522	T-316SS	Al. Alloy	Teflon	-65°F to +200°F	0.44	2.5 lbs

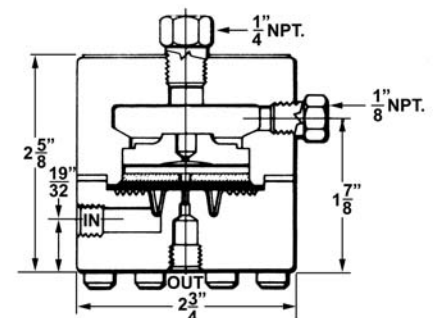


Model 91XW Series

End Connections - 1/4" FNPT

Inlet Control Pressure Range - 100-3000 PSI

Model Number	Figure Number	Material			Temperature Range	Max Cv	Wt. Approx.
		Body	Dome	Diap.			
91XW	10457	Al. Alloy	Al. Alloy	Teflon	-65°F to +200°F	0.17	1.6 lbs
S91XW	11506	T-316SS	T-316SS	Teflon	-65°F to +200°F	0.17	4.0 lbs
SD91XW	11524	T-316SS	Al. Alloy	Teflon	-65°F to +200°F	0.17	2.5 lbs



For flow capacity refer to Mity-Mite Brochure

RedQ

Dresser, Inc.

2822 S. 1030 W.

Salt Lake City, Utah 84119

Phone: 801.487.2225 Fax: 801.487.2587

www.dresser.com/redq

