

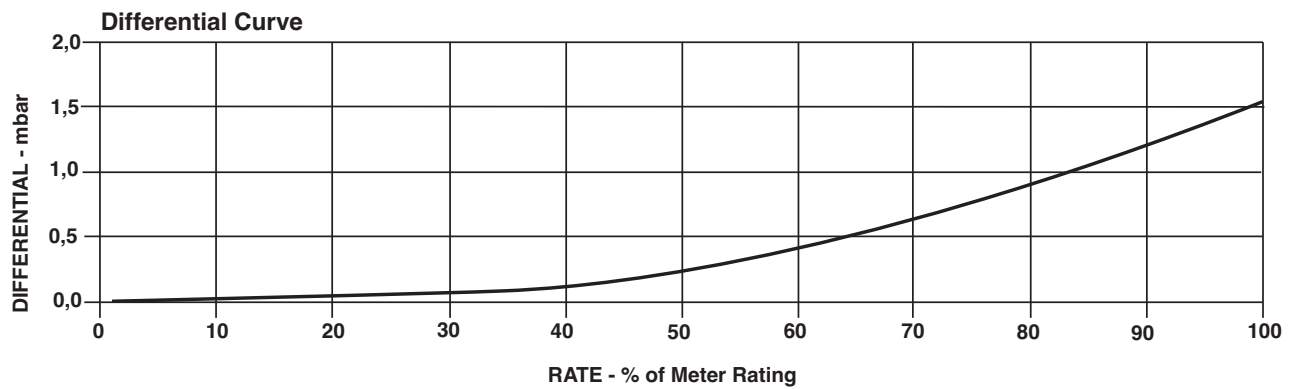
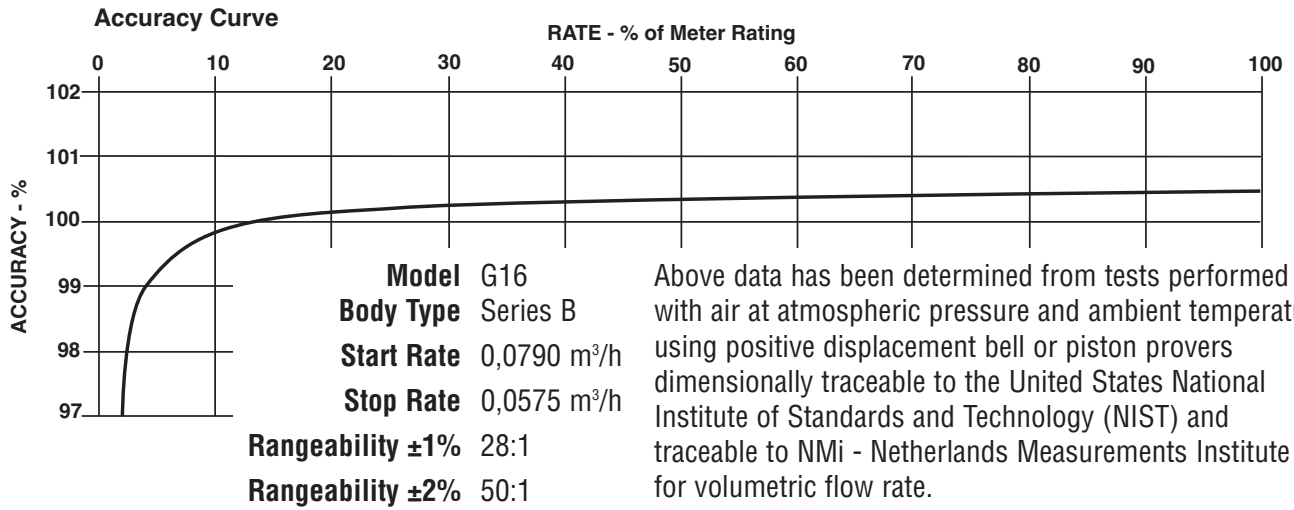


G16 ROOTS® Meter

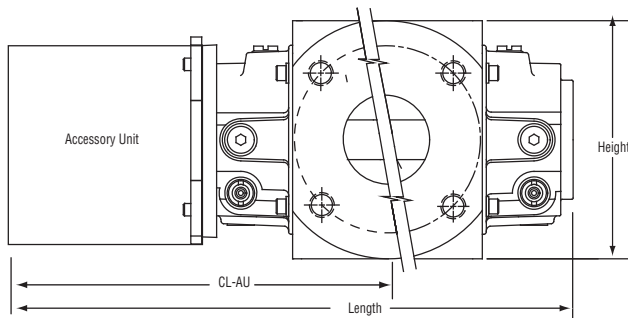
	UNITS	Metric/DIN	UNITS	Metric/ANSI
Temperature Range	deg. C	-40 to +70	deg. C	-40 to +70
Base Rating (Q Max.)	m³/h	25,0	m³/h	25,0
Max. Operating Pressure (MAOP)	bar	12	bar	12
Leak Test (125% MAOP)	bar	15	bar	15
Static Test (2 x MAOP)	bar	24	bar	24
Rangeability +/- 1%	ratio	28:1	ratio	28:1
Rangeability +/- 2%	ratio	50:1	ratio	50:1
Start Rate	m³/h	0,0790	m³/h	0,0790
Stop Rate	m³/h	0,0575	m³/h	0,0575
Flow Rate @ 1,25 mbar, Gas	m³/h	22,6	m³/h	22,6
Avg. Differential, 100% Flow	mbar	1,6	mbar	1,6
Max. Pressurization Rate	kPa/sec	35	kPa/sec	35
Max. Operating Speed	rpm	1990	rpm	1990
Gear Ratio	ratio	476,4705:1	ratio	476,4705:1
Displaced Volume/Revolution	m³	0,000210	m³	0,000210
Drive Rate	m³/rev	0,1	m³/rev	0,1
Min. Odometer Reading	m³	0,002	m³	0,002
Odometer Turnover	yrs.	4,50	yrs.	4,50
Nominal Pipe Size ²	mm	50	mm	50
Flange-to-Flange	mm	172	mm	172
Flange Connection ²	DIN	DN 50	ANSI	150#FF
Bolts per Flange	qty.	4	qty.	4
Bolt Size ¹	mm	M16	in.	5/8 - 11
Flange Bolt Hole Depth	mm	23,8	mm	23,8
Bolt Torque: Lubricated/Non-Lub.	N-m	74/81	N-m	74/81
Restricting Orifice (120%)	mm	7,144	mm	7,144
Oil Capacity – Side Inlet	ml	24	ml	24
Oil Capacity – Top Inlet	ml	89	ml	89
Net Weight	kg	8	kg	8
Shipping Weight	kg	10	kg	10
Carton Size	cm	58 x 28 x 23	cm	58 x 28 x 23

NOTES:¹ Bolt Length varies by application.² Available in 1-1/2" NPT nipped connections upon request.

Body Material	Aluminum
Impeller (Rotor) Material	Aluminum with stainless steel shaft
Application	Custody transfer approved by ANSI B109.3, MID & Others
Repeatability	0.1% (dependent on uncertainty of test equipment)
Security Seal	Option for seal wire or lead seal available
IP Rating for Euro-Counter Pulsar Only	IP65 (according to standard IEC 60529)



G16	Overall Length		Overall Height		Width (Flange/Flange)		Accessory End (CL-AU)		Centerline to Request Detailed Drawing Number
	inches	mm	inches	mm	inches	mm	inches	mm	
	12-13/32	315	6	153	6-3/4	172	7-23/32	196	D055450-000



**Roots Meters & Instruments
Dresser, Inc.**

16240 Port Northwest Drive
Houston, Texas 77041-2645 USA
Inside US Ph: 800.521.1114
Outside US Ph: 832.590.2303

Fax: 800.335.5224
Fax: 832.590.2494



www.dresser.com