



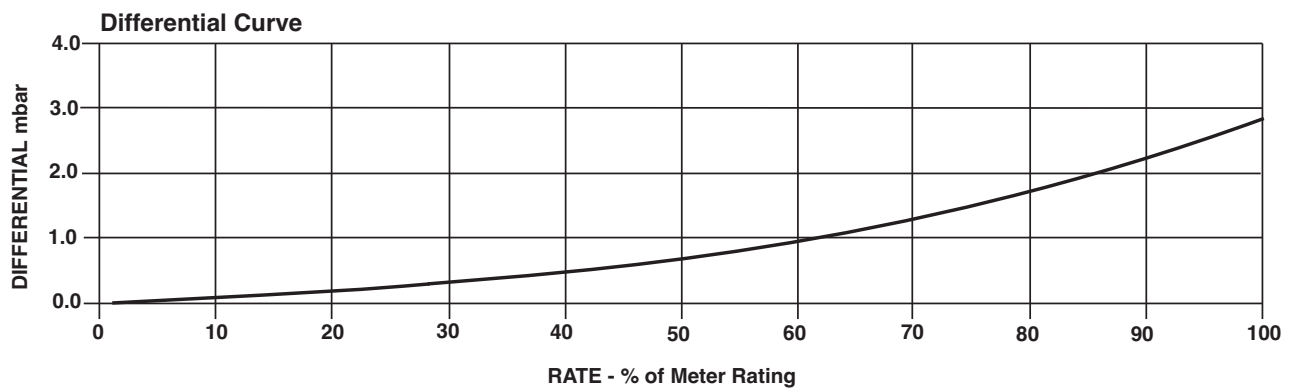
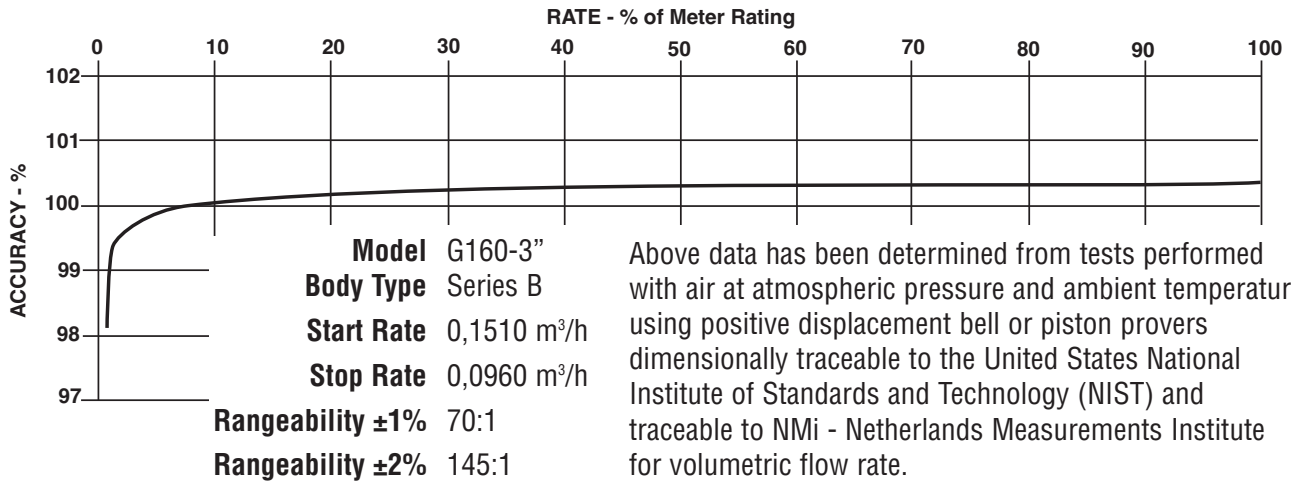
SERIES B3: G160-3" ROOTS® Meter

	UNITS	Metric/DIN	UNITS	Metric/ANSI
Temperature Range	deg. C	-40 to +60	deg. C	-40 to +60
Base Rating (Q Max.)	m ³ /h	250	m ³ /h	250
Max. Operating Pressure (MAOP)	bar	12	bar	12
Leak Test (125% MAOP)	bar	15	bar	15
Static Test (2 x MAOP)	bar	24	bar	24
Rangeability +/- 1%	ratio	70:1	ratio	70:1
Rangeability +/- 2%	ratio	145:1	ratio	145:1
Start Rate	m ³ /h	0,1510	m ³ /h	0,1510
Stop Rate	m ³ /h	0,0960	m ³ /h	0,0960
Flow Rate @ 1,25 mbar, Gas	m ³ /h	112,6	m ³ /h	112,6
Avg. Differential, @ 100% Flow	mbar	2,8	mbar	2,8
Max. Pressurization Rate	kPa/sec	35	kPa/sec	35
Max. Operating Speed	rpm	1500	rpm	1500
Gear Ratio	ratio	360:1	ratio	360:1
Displaced Volume/Revolution	m ³	0,002777	m ³	0,002777
Drive Rate, CD	m ³ /rev	1,0	m ³ /rev	1,0
Min. Odometer Reading	m ³	0,020	m ³	0,020
Odometer Turnover	yrs.	4,57	yrs.	4,57
Nominal Pipe Size	mm	80	mm	80
Flange-to-Flange	mm	241,3	mm	241,3
Flange Connection	DIN	DN80	ANSI	150#FF
Bolts per Flange	qty.	8	qty.	4
Bolt Size ¹	mm	M16	in.	5/8 - 11
Flange Bolt Hole Depth	mm	27	mm	27
Bolt Torque: Lubricated/Non-Lub.	N-m	74/81	N-m	74/81
Restricting Orifice (120%)	mm	20,638	mm	20,638
Oil Capacity – Side Inlet	ml	101	ml	101
Oil Capacity – Top Inlet	ml	645	ml	645
Counter Version (CTR) ²				
Net Weight	kg	29	kg	29
Shipping Weight	kg	34	kg	34
Carton Size	cm	86 x 33 x 30	cm	86 x 33 x 30
Counter with Instrument Drive (CTR) ²				
Net Weight	kg	31	kg	31
Shipping Weight	kg	36	kg	36
Carton Size	cm	97 x 38 x 41	cm	97 x 38 x 41

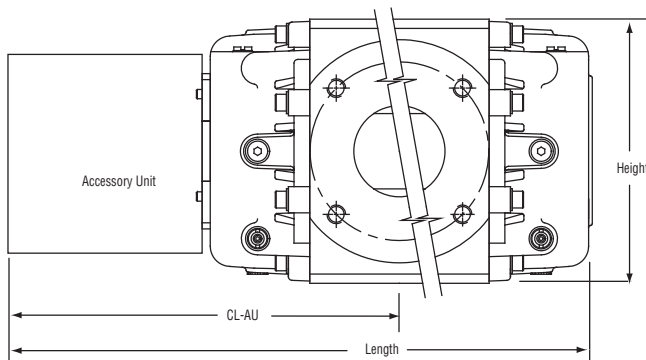
NOTES:

¹ Bolt Length varies by application.

² Weights and dimensions available for CPS upon request.



G160 Series B3	Overall Length		Overall Height		Width (Flange/Flange)		Centerline to Accessory End (CL-AU)		Request Detailed Drawing Number
	inches	mm	inches	mm	inches	mm	inches	mm	
CTR	21-5/8	549	8-7/8	225,4	9-1/2	241	13-11/32	339	D054358-000
CD	24-31/32	634	8-7/8	225,4	9-1/2	241	16-3/4	426	D054603-000
ICPS	23-11/32	593	8-7/8	225,4	9-1/2	241	11-31/32	304	D056119-000
ICPWS									
IMC/C2	24-49/64	629	8-7/8	225,4	9-1/2	241	16-9/16	421	D056488-000
IMC/W2	25-23/32	653	8-7/8	225,4	9-1/2	241	17-33/64	445	D056793-000



To order

Specify: Meter Series, Size and Type (i.e., ROOTS Meter Series B3 G160-3" CD).
 For CD, specify Inlet (Top or Side) and ID Rotation (CW-B or CCW-A).
 For Pulsar, specify Single or Dual Connectors and Connector Type (MS Circular, Conduit or Cable Gland).
 For more specific ordering information on the electronic products, request: TS:SSP, TS:IMC/C2, or TS:IMC/W2.
 Contact the factory for other available information, options, or special requests.

**Roots Meters & Instruments
 Dresser, Inc.**

16240 Port Northwest Drive
 Houston, Texas 77041-2645 USA
 Inside US Ph: 800.521.1114
 Outside US Ph: 832.590.2303

Fax: 800.335.5224
 Fax: 832.590.2494



www.dresser.com