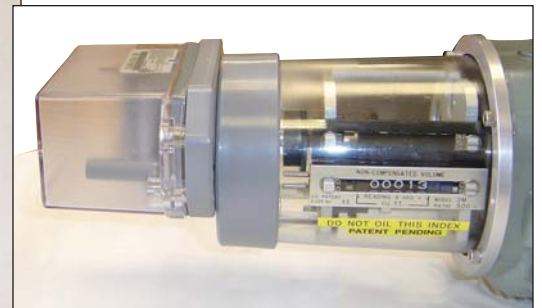


AMR ADAPTER for the SERIES B3 ROOTS® CTR/TC



AMR Adapter and ERT installed on a ROOTS Meter
(top inlet meter installation shown)

AMR Adapters for Series B3 ROOTS Meter

Dresser's new residential AMR Adapter for the Series 3 ROOTS CTR/TC index units allows you to mount an Itron® Residential ERT® 40G for Invensys or American Meters directly onto a Dresser ROOTS Series B3 Rotary Meter. Additionally, the Adapter facilitates the mounting of a Cellnet Module directly to the end of a ROOTS® Rotary Meter.

The design utilizes a Series 3 Lexan® cover with an opening to engage the ERT or Cellnet module in a direct drive link to the gear reduction unit. Our proven ID seal system between the adapter and the Series 3 cover provides a barrier against moisture intrusion into the oil free cover. The AMR Adapter is fastened to the Series 3 cover from the inside providing a tamper proof design. Slip flange and mounting screws are not included.

Our new direct drive AMR Adapter offers you a low cost solution for Series B3 CTR or TC meters in applications that require the adaptation of a Residential ERT or Cellnet AMR. You will also benefit from ease of use with this design as compared to the currently available solutions for Instrument Drive and Solid State Pulsar version meters that connect to AMR devices.

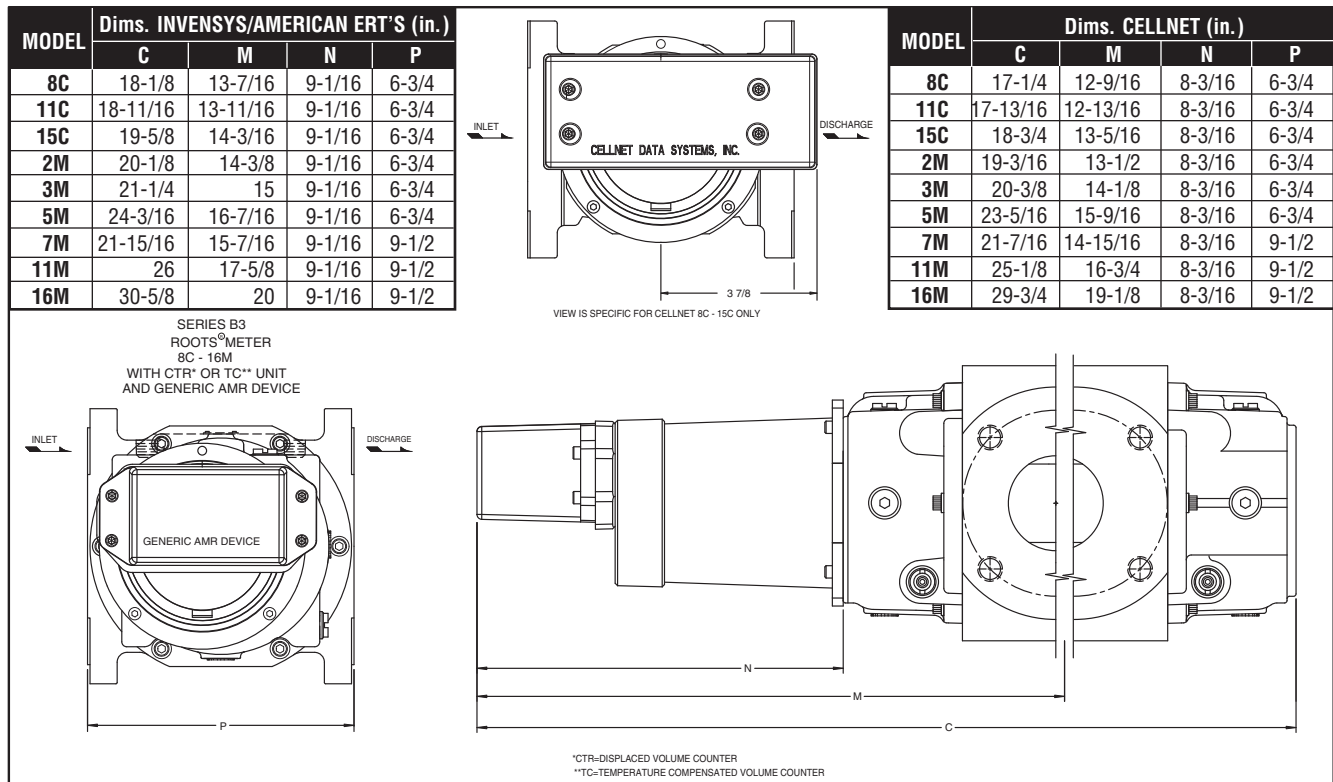
The AMR Adapter is available as a conversion kit for field installation or factory installed on new meters.

Series B3 Meter Drive Rates

Meter Size Counter Version (CTR)	Meter Drive Rate	QMax CFH
8C175	10	800
11C175	10	1100
15C175	10	1500
2M175	10	2000
3M175	10	3000
5M175	10	5000
7M175	10	7000
11M175	10	11000
16M175	100	16000
23M232	100	23000
23M175	100	23000
38M175	100	38000
56M175	100	56000

Meter Size TC Version	Meter Drive Rate	QMax CFH
8C175	100	800
11C175	100	1100
15C175	100	1500
2M175	100	2000
3M175	100	3000
5M175	100	5000
7M175	100	7000
11M175	100	11000
16M175	1000	16000

Dimensional Drawing



Dresser Roots Meters & Instruments

16240 Port Northwest Drive

Houston, TX 77041-2645

Inside US Ph: 800.521.1114

Outside US Ph: 832.590.2303

Fax: 800.335.5224

Fax: 832.590.2494



©2005 Dresser, Inc.

ROOTS is a registered trademark of Dresser, Inc.

Lexan is a registered trademark of the General Electric Company.

Itron and ERT are registered trademarks of Itron, Inc.

www.dresser.com

TS:AMR Adapter_B3
9.08