

Parts List

for
Mooney Controls Manufactured Products

**FlowMax[®] Regulators
Parts Kits**

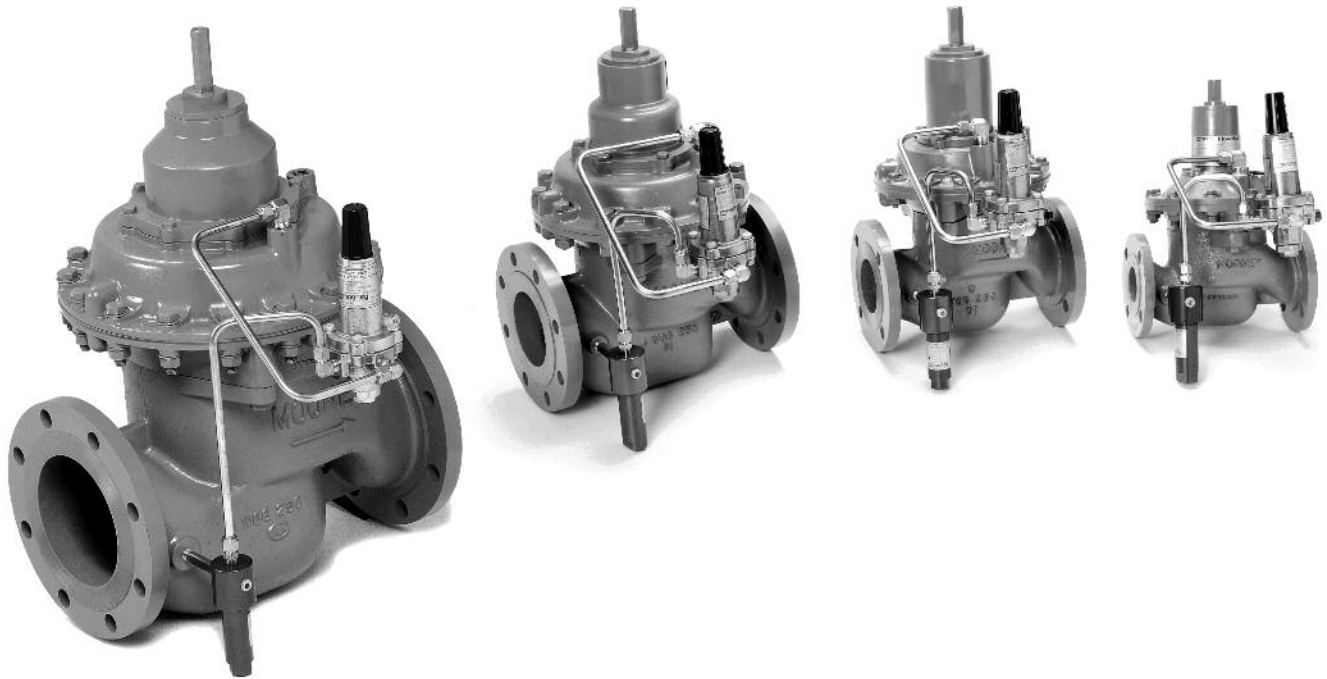


Table of Contents

| | |
|-----------------------------|----|
| Stock Number Index | 2 |
| 2" FlowMax Regulators | 3 |
| 3" FlowMax Regulators | 5 |
| 4" FlowMax Regulators | 7 |
| 6" FlowMax Regulators | 9 |
| FlowMax Rebuild Kits..... | 11 |

Stock Number Index for FlowMax Regulators

| Stock Number | Page Number | Description |
|---------------------|--------------------|----------------------|
| FM-1 | 3, 4 | 2" CL 150 RF Flanged |
| FM-2 | 3, 4 | 2" NPT |
| FM-3 | 3, 4 | 2" CL 150 FF Flanged |
| FM-4 | 5, 6 | 3" CL 150 RF Flanged |
| FM-5 | 5, 6 | 3" CL 150 FF Flanged |
| FM-6 | 7, 8 | 4" CL 150 RF Flanged |
| FM-7 | 7, 8 | 4" CL 150 FF Flanged |
| FM-8 | 9, 10 | 6" CL 150 RF Flanged |
| FM-9 | 9, 10 | 6" CL 150 FF Flanged |

Parts List - 2" FlowMax® Regulator

Includes: 2" NPT, 2" RF 150 CL, and 2" FF 150 CL Flanged

| Item | Description | Material | Part Number | Quantity |
|------|---------------------------------|--------------|-------------|----------|
| 1 | 2" RF Flanged Body (FM-1) | Ductile Iron | 132-002-01 | 1 |
| | 2" NPT Body (FM-2) | Ductile Iron | 132-004-01 | |
| | 2" FF Flanged Body (FM-3) | Ductile Iron | 132-005-01 | |
| 2 | Body Gasket | Neoprene | 132-025-01 | 1 |
| 3 | Cage | Ductile Iron | 132-047-01 | 1 |
| 4 | Stem O-ring | Nitrile | 021-114-01 | 1 |
| 5 | Stem Bushing | Delrin | 132-066-01 | 1 |
| 6 | Bushing O-ring | Nitrile | 021-118-01 | 1 |
| 7 | Housing O-ring | Nitrile | 021-240-01 | 1 |
| 8 | Housing Nut | SST | 032-008-01 | 10 |
| 9 | Housing Washer | SST | 034-006-01 | 10 |
| 10 | Housing Capscrew | SST | 030-025-01 | 10 |
| 11 | Actuator Housing - Lower | Aluminum | 132-010-01 | 1 |
| 12 | Housing Alignment Pin (.75) Std | SST | 134-049-01 | 1 |
| | Housing Alignment Pin (.063) | SST | 134-050-01 | 1 |
| | Housing Alignment Pin (.047) | SST | 134-051-01 | 1 |
| 13 | Actuator Housing - Upper | Aluminum | 132-012-01 | 1 |
| 14 | Balancing Diaphragm O-ring | Nitrile | 021-151-01 | 1 |
| 15 | Spring Case | Aluminum | 132-021-01 | 1 |
| 16 | Spring Case Capscrew | SST | 030-029-01 | 4 |
| 17 | Spring Case Cap O-ring | Nitrile | 021-134-01 | 1 |
| 18 | Spring Case Cap | Aluminum | 132-043-01 | 1 |
| 19 | Body Capscrew | SST | 030-026-01 | 2 |
| 27 | Alignment Pin O-ring | Nitrile | 021-008-01 | 2 |

Optional Travel Indicator Kit (132-078-01) including:

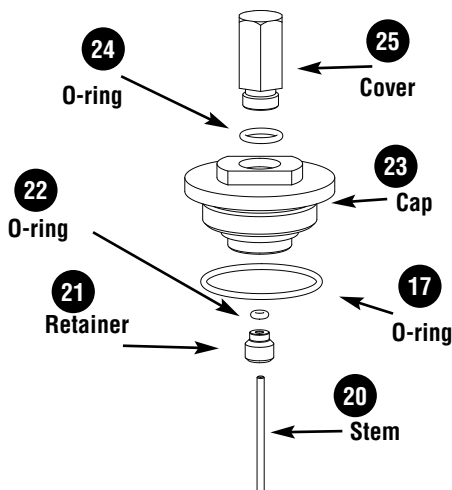
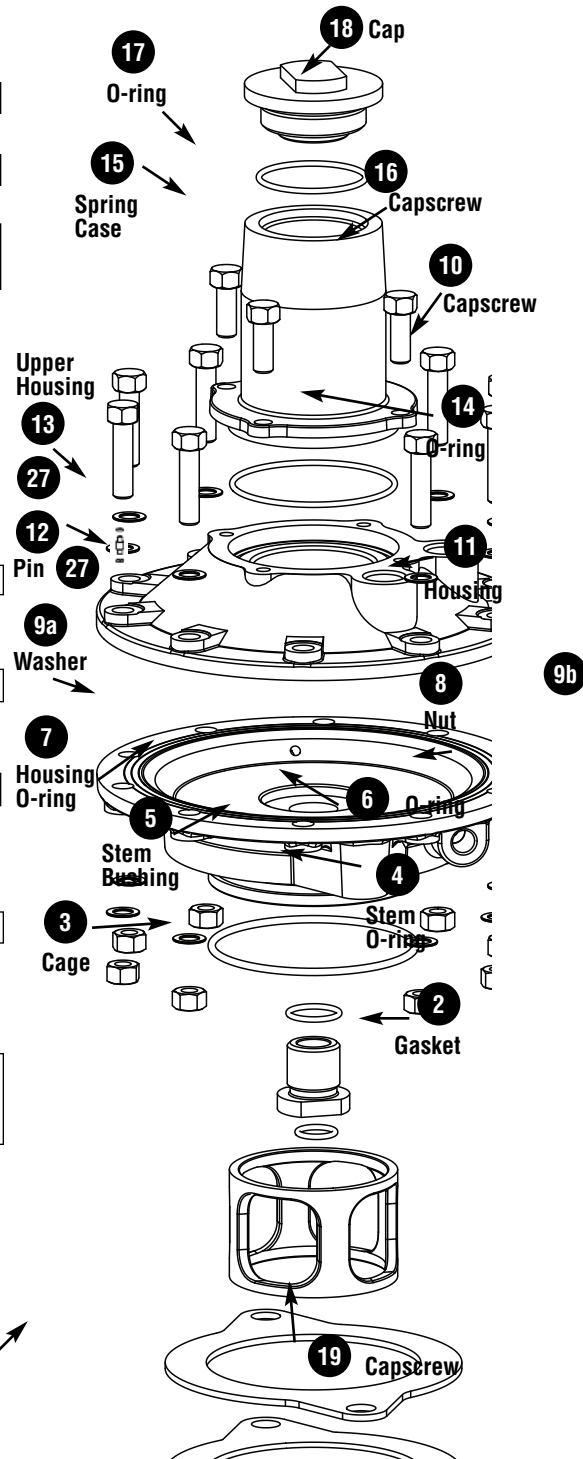
| | | | | |
|----|--------------------------------|----------|------------|---|
| 20 | Indicator Stem | SST | 132-083-01 | 1 |
| 21 | Indicator Stem O-ring Retainer | Nylon | 132-084-01 | 1 |
| 22 | Indicator Stem O-ring | Nitrile | 021-104-01 | 1 |
| 23 | Spring Case Cap | Aluminum | 132-080-01 | 1 |
| 24 | Indicator Cover O-ring | Nitrile | 021-112-01 | 1 |
| 25 | Indicator Cover | Aluminum | 132-081-02 | 1 |

Boxed items indicate recommended spare parts

| | | | | |
|----|------------------------|--|------------|---|
| 26 | 2" FlowMax Rebuild Kit | | 132-090-01 | 1 |
|----|------------------------|--|------------|---|

(includes item 2 from page 3 and items 5, 11 & 14 from page 4)

Delrin is a registered trademark of E.I. duPont de Nemours and Company



Parts List - 2" FlowMax® Regulator

Internal Components

| Item | Description | Material | Part Number | Quantity |
|------|------------------------------|---------------|-------------|----------|
| 1 | Seat O-ring | Nitrile | 021-234-01 | 1 |
| 2 | Seat | SST | 132-045-01 | 1 |
| 3 | Stem Nut | Steel/Nitrile | 033-001-01 | 1 |
| 4 | Plug Seal Retainer | Brass | | 1 |
| | 100% Capacity | | 132-055-01 | |
| | 50% Capacity | | 132-026-01 | |
| | 25% Capacity | | 132-025-01 | |
| 5 | Plug Seal | Nitrile | 132-070-01 | 1 |
| 6 | Plug | Brass | 132-050-01 | 1 |
| 7 | Plug O-ring | Nitrile | 021-015-01 | 1 |
| 8 | Stem | SST | 132-035-01 | 1 |
| 9 | Diaphragm Retainer - Lower | Aluminum | 132-031-01 | 1 |
| 10 | Main Diaphragm O-ring | Nitrile | 021-111-01 | 2 |
| 11 | Main Diaphragm | Nitrile/Nylon | 132-038-01 | 1 |
| 12 | Diaphragm Retainer - Upper | Steel | 132-030-01 | 1 |
| 13 | Balancing Diaphragm Retainer | Aluminum | 132-036-01 | 1 |
| 14 | Balancing Diaphragm | Nitrile/Nylon | 132-039-01 | 1 |
| 15 | Piston | Delrin | 132-033-01 | 1 |
| 16 | Piston Ring | Nylon | 132-085-01 | 1 |
| 17 | Spring Washer | SST | 034-007-01 | 1 |
| 18 | Upper Stem Nut | Steel | 132-079-01 | 1 |
| 19 | Main Spring | Music Wire | 040-025-01 | 1 |

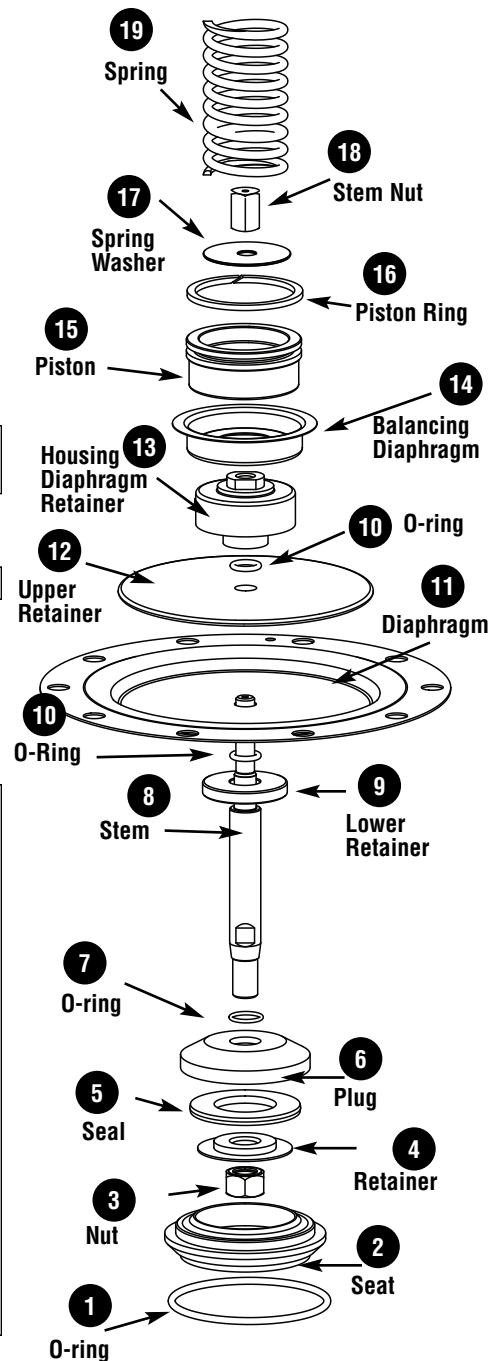
Boxed items indicate recommended spare parts

20 O-ring Kit

132-075-01 1

Includes:

| | | | |
|----------------------------|---------|------------|---|
| Stem O-ring | Nitrile | 021-114-01 | 1 |
| Bushing O-ring | Nitrile | 021-118-01 | 1 |
| Housing O-ring | Nitrile | 021-240-01 | 1 |
| Spring Cap O-ring | Nitrile | 021-134-01 | 1 |
| Seat O-ring | Nitrile | 021-234-01 | 1 |
| Plug O-ring | Nitrile | 021-015-01 | 1 |
| Main Diaphragm O-ring | Nitrile | 021-111-01 | 2 |
| Balancing Diaphragm O-ring | Nitrile | 021-151-01 | 1 |
| Indicator Stem O-ring | Nitrile | 021-104-01 | 1 |
| Indicator Cover O-ring | Nitrile | 021-112-01 | 1 |
| Alignment Pin O-ring | Nitrile | 021-008-01 | 2 |
| O-ring Lubricant (2 gram) | Silicon | 025-006-01 | 1 |



Parts List - 3" FlowMax® Regulator

Includes: 3" RF 150 CL, and 3" FF 150 CL Flanged

| Item | Description | Material | Part Number | Quantity |
|------|--|--------------|--------------------------|----------|
| 1 | 3" RF Flanged Body (FM-4) 3" FF Flanged Body (FM-3) | Ductile Iron | 133-002-01 133-004-01 | 1 |
| 2 | Body Gasket | Neoprene | 133-025-01 | 1 |
| 3 | Cage | Ductile Iron | 133-014-01 | 1 |
| 4 | Stem O-ring | Nitrile | 021-211-01 | 1 |
| 5 | Stem Bushing | Delrin | 134-017-01 | 1 |
| 6 | Bushing O-ring | Nitrile | 021-122-01 | 1 |
| 7 | Housing O-ring | Nitrile | 021-246-01 | 1 |
| 8 | Housing Nut | SST | 032-010-01 | 12 |
| 9 | Housing Washer | SST | 034-010-01 | 24 |
| 10 | Housing Capscrew | SST | 030-035-01 | 12 |
| 11 | Actuator Housing - Lower | Aluminum | 133-010-01 | 1 |
| 12 | Housing Alignment Pin (.75) Std | SST | 034-049-01 | 1 |
| | Housing Alignment Pin (.063) | SST | 034-050-01 | 1 |
| | Housing Alignment Pin (.047) | SST | 034-051-01 | 1 |
| 13 | Actuator Housing - Upper | Aluminum | 133-012-01 | 1 |
| 14 | Balancing Diaphragm O-ring | Nitrile | 021-240-01 | 1 |
| 15 | Spring Case | Aluminum | 133-021-01 | 1 |
| 16 | Spring Case Capscrew | SST | 030-033-01 | 4 |
| 17 | Spring Case Cap O-ring | Nitrile | 021-141-01 | 1 |
| 18 | Spring Case Cap | Aluminum | 134-023-01 | 1 |
| 19 | Body Capscrew | SST | 030-026-01 | 4 |
| 20 | Alignment Pin O-ring | Nitrile | 021-008-01 | 2 |

Optional Travel Indicator Kit (133-047-01) including:

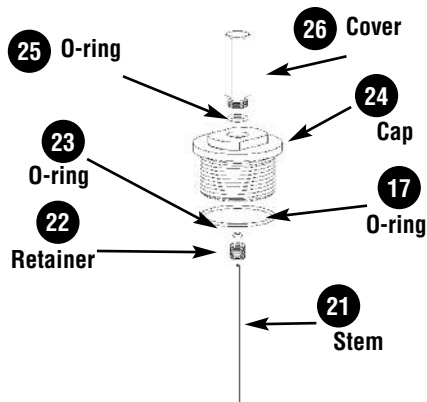
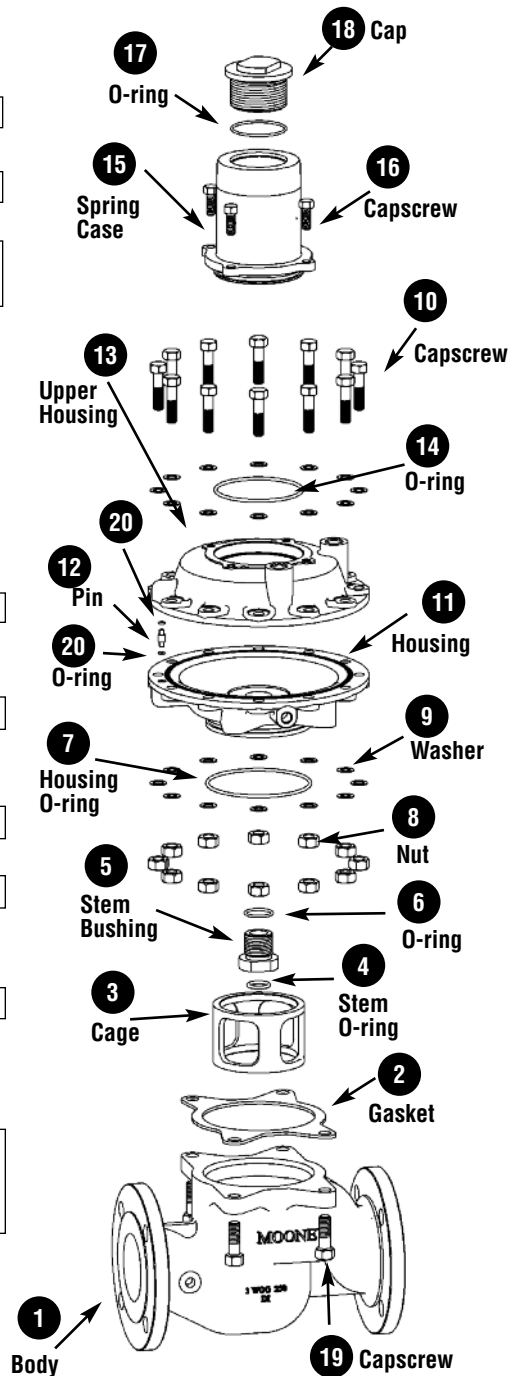
| | | | | |
|----|--------------------------------|----------|------------|---|
| 17 | Spring Case Cap O-ring | Nitrile | 021-141-01 | 1 |
| 21 | Indicator Stem | SST | 133-046-01 | 1 |
| 22 | Indicator Stem O-ring Retainer | Steel | 132-084-01 | 1 |
| 23 | Indicator Stem O-ring | Nitrile | 021-104-01 | 1 |
| 24 | Spring Case Cap | Aluminum | 134-024-01 | 1 |
| 25 | Indicator Cover O-ring | Nitrile | 021-112-01 | 1 |
| 26 | Indicator Cover | Aluminum | 134-045-01 | 1 |

Boxed items indicate recommended spare parts

| | | | | |
|----|------------------------|--|------------|---|
| 27 | 3" FlowMax Rebuild Kit | | 133-090-01 | 1 |
|----|------------------------|--|------------|---|

(includes item 2 from page 5 and items 5, 11, 14 and 22 from page 4)

Delrin is a registered trademark of E.I. duPont de Nemours and Company



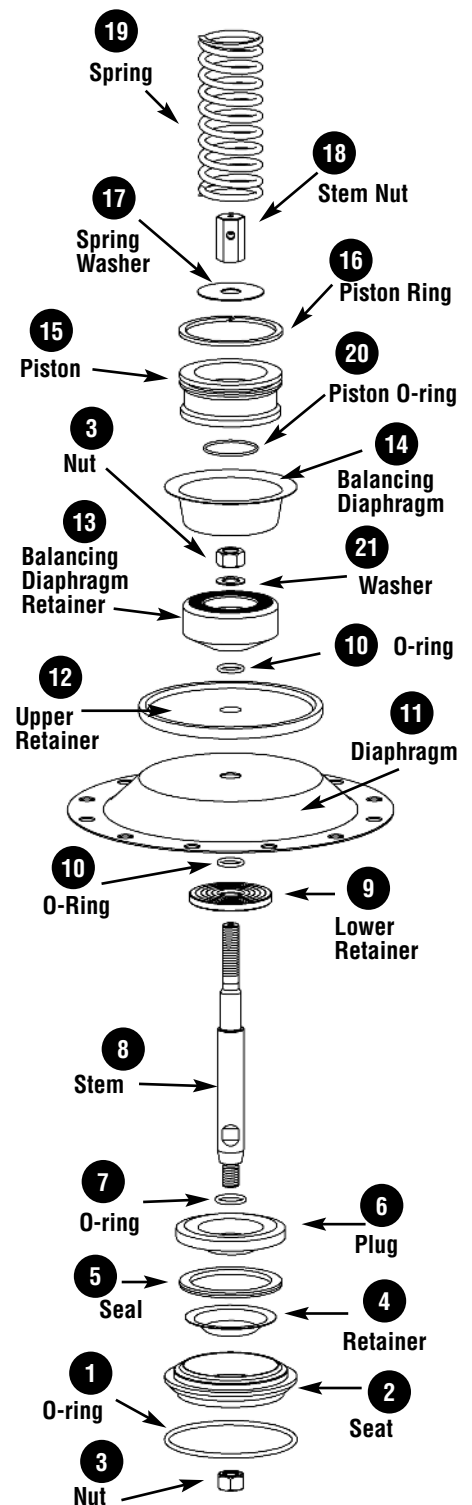
Parts List - 3" FlowMax® Regulator

Internal Components

| Item | Description | Material | Part Number | Quantity |
|------|------------------------------|---------------|-------------|----------|
| 1 | Seat O-ring | Nitrile | 021-240-01 | 1 |
| 2 | Seat | SST | 133-005-01 | 1 |
| 3 | Stem Nut | Steel/Nitrile | 033-001-01 | 2 |
| 4 | Plug Seal Retainer | Brass | | 1 |
| | 100% Capacity | | 133-043-01 | |
| | 50% Capacity | | 133-061-01 | |
| 5 | Plug Seal | Nitrile | 132-042-01 | 1 |
| 6 | Plug | Brass | 133-041-01 | 1 |
| 7 | Plug O-ring | Nitrile | 021-116-01 | 1 |
| 8 | Stem | SST | 133-016-01 | 1 |
| 9 | Diaphragm Retainer - Lower | Aluminum | 134-031-01 | 1 |
| 10 | Main Diaphragm O-ring | Nitrile | 021-114-01 | 2 |
| 11 | Main Diaphragm | Nitrile/Nylon | 133-038-01 | 1 |
| 12 | Diaphragm Retainer - Upper | Aluminum | 133-030-01 | 1 |
| 13 | Balancing Diaphragm Retainer | Aluminum | 133-027-01 | 1 |
| 14 | Balancing Diaphragm | Nitrile/Nylon | 133-039-01 | 1 |
| 15 | Piston | Delrin | 133-033-01 | 1 |
| 16 | Piston Ring | Nylon | 133-034-01 | 1 |
| 17 | Spring Washer | SST | 034-008-01 | 1 |
| 18 | Upper Stem Nut | Steel | 134-018-01 | 1 |
| 19 | Main Spring | Music Wire | 040-026-01 | 1 |
| 20 | Piston O-ring | Nylon | 021-029-01 | 1 |
| 21 | Washer | SST | 034-009-01 | 1 |

Boxed items indicate recommended spare parts

| | | | | |
|------------------|----------------------------|---------|-------------|---|
| 22 | 3" FlowMax O-ring Kit | | 133-055-01 | 1 |
| <i>Includes:</i> | | | | |
| | Stem O-ring | Nitrile | 021-211-01 | 1 |
| | Bushing O-ring | Nitrile | 021-122-01 | 1 |
| | Housing O-ring | Nitrile | 021-246-01 | 1 |
| | Spring Case Cap O-ring | Nitrile | 021-141-01 | 1 |
| | Seat O-ring | Nitrile | 021-240-01 | 1 |
| | Plug O-ring | Nitrile | 021-116-01 | 1 |
| | Main Diaphragm O-ring | Nitrile | 021-114-01 | 2 |
| | Indicator Stem O-ring | Nitrile | 021-104-01 | 1 |
| | Indicator Cover O-ring | Nitrile | 021-112-01 | 1 |
| | Piston O-ring | Nitrile | 021-029-01 | 1 |
| | Alignment Pin O-ring | Nitrile | 021-008-01 | 2 |
| | Balancing Diaphragm O-ring | Nitrile | 021-240-01 | 1 |
| | O-ring Lubricant (2 gram) | Silicon | 025-006-001 | 1 |



Parts List - 4" FlowMax® Regulator

Includes: 4" RF 150 CL, and 4" FF 150 CL Flanged

| Item | Description | Material | Part Number | Quantity |
|------|---|-------------------|--|-------------|
| 1 | 4" RF Flanged Body (FM-4) 4" FF Flanged Body (FM-3) | Ductile Iron | 134-002-01 134-004-01 | 1 |
| 2 | Body Gasket | Neoprene | 134-025-01 | 1 |
| 3 | Cage | Ductile Iron | 134-014-01 | 1 |
| 4 | Stem O-ring | Nitrile | 021-211-01 | 1 |
| 5 | Stem Bushing | Delrin | 134-017-01 | 1 |
| 6 | Bushing O-ring | Nitrile | 021-122-01 | 1 |
| 7 | Housing O-ring | Nitrile | 021-256-01 | 1 |
| 8 | Housing Nut | SST | 032-007-02 | 12 |
| 9 | Housing Washer | SST | 034-009-01 | 24 |
| 10 | Housing Capscrew | SST | 030-032-01 | 12 |
| 11 | Actuator Housing - Lower | Aluminum | 134-010-01 | 1 |
| 12 | Housing Alignment Pin (.75) Std Housing Alignment Pin (.063) Housing Alignment Pin (.047) | SST SST SST | 034-049-01 034-050-01 034-051-01 | 1 1 1 |
| 13 | Actuator Housing - Upper | Aluminum | 133-012-01 | 1 |
| 14 | Balancing Diaphragm O-ring | Nitrile | 021-249-01 | 1 |
| 15 | Spring Case | Aluminum | 134-021-01 | 1 |
| 16 | Spring Case Capscrew | SST | 030-033-01 | 6 |
| 17 | Spring Case Cap O-ring | Nitrile | 021-141-01 | 1 |
| 18 | Spring Case Cap | Aluminum | 134-023-01 | 1 |
| 19 | Body Capscrew | SST | 030-026-01 | 4 |
| 20 | Alignment Pin O-ring | Nitrile | 021-008-01 | 2 |

Optional Travel Indicator Kit (134-047-01) including:

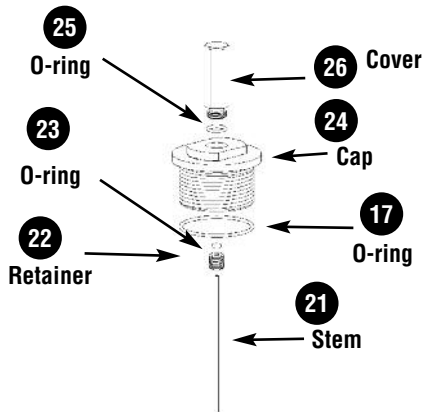
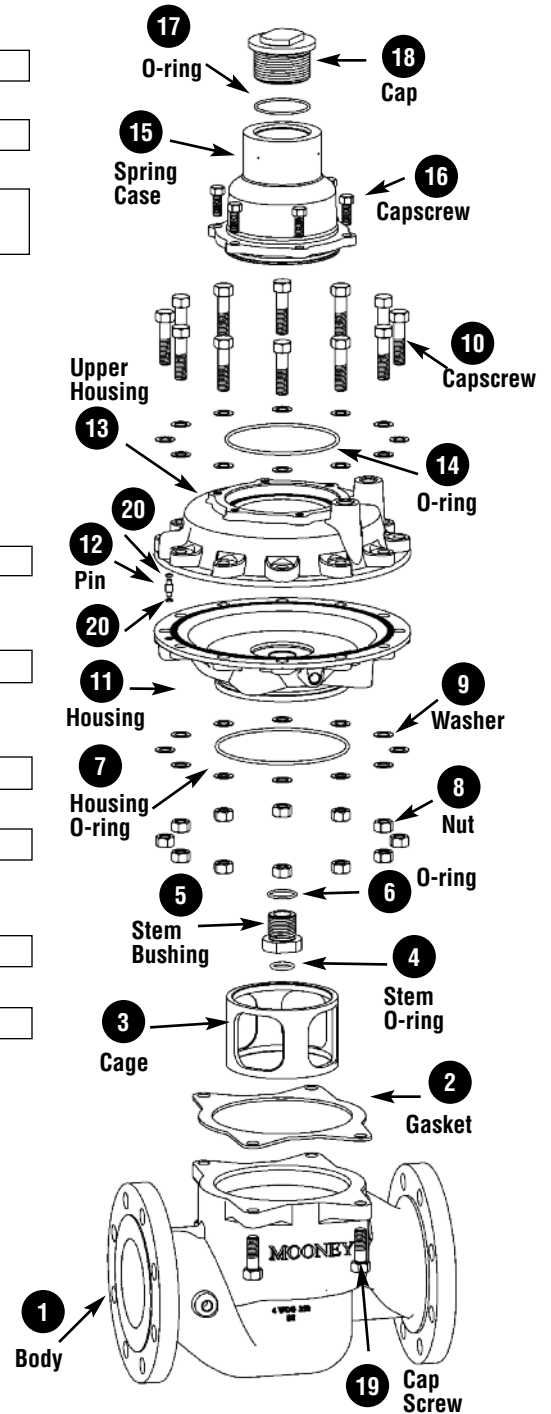
| | | | | |
|----|--------------------------------|----------|------------|---|
| 17 | Spring Case Cap O-ring | Nitrile | 021-141-01 | 1 |
| 21 | Indicator Stem | SST | 134-046-01 | 1 |
| 22 | Indicator Stem O-ring Retainer | Nylon | 132-084-01 | 1 |
| 23 | Indicator Stem O-ring | Nitrile | 021-104-01 | 1 |
| 24 | Spring Case Cap | Aluminum | 134-024-01 | 1 |
| 25 | Indicator Cover O-ring | Nitrile | 021-112-01 | 1 |
| 26 | Indicator Cover | Aluminum | 134-045-01 | 1 |

Boxed items indicate recommended spare parts

| | | | | |
|----|------------------------|--|------------|---|
| 27 | 3" FlowMax Rebuild Kit | | 134-090-01 | 1 |
|----|------------------------|--|------------|---|

(includes item 2 from page 2 and items 5,11 & 14 from page 4)

Delrin is a registered trademark of E.I. duPont de Nemours and Company.



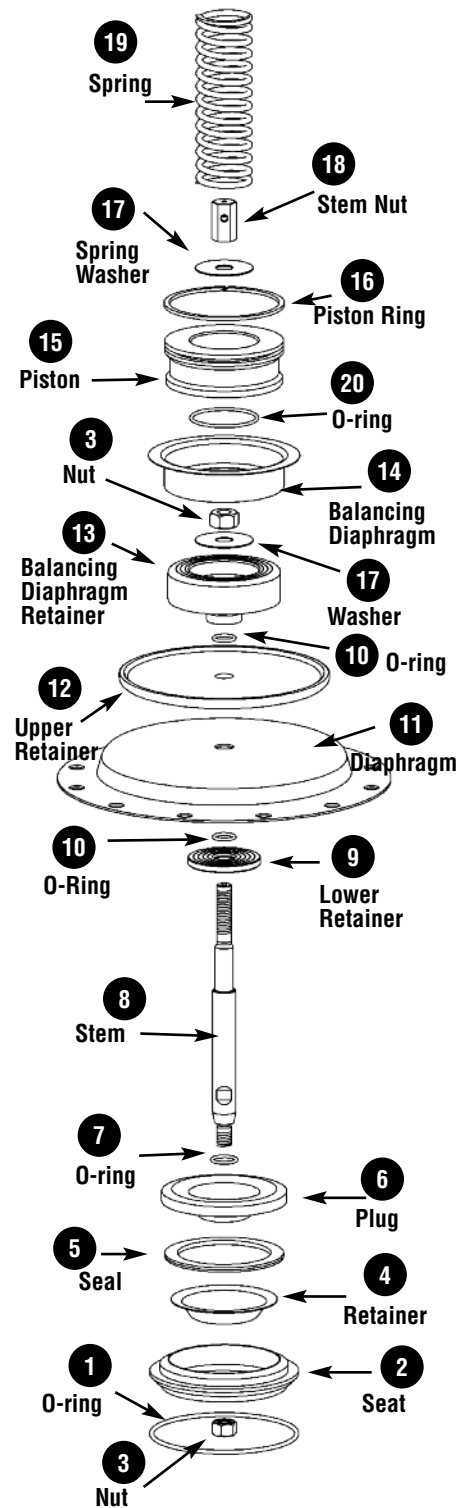
Parts List - 4" FlowMax® Regulator

Internal Components

| Item | Description | Material | Part Number | Quantity |
|------|------------------------------|---------------|-------------|----------|
| 1 | Seat O-ring | Nitrile | 021-249-01 | 1 |
| 2 | Seat | SST | 134-005-01 | 1 |
| 3 | Stem Nut | Steel/Nitrile | 033-001-01 | 2 |
| 4 | Plug Seal Retainer | | | 1 |
| | 100% Capacity | SST | 134-043-01 | |
| | 50% Capacity | Brass | 134-061-01 | |
| 5 | Plug Seal | Nitrile | 134-042-01 | 1 |
| 6 | Plug | Brass | 134-041-02 | 1 |
| 7 | Plug O-ring | Nitrile | 021-116-01 | 1 |
| 8 | Stem | SST | 134-016-01 | 1 |
| 9 | Diaphragm Retainer - Lower | Aluminum | 134-031-01 | 1 |
| 10 | Main Diaphragm O-ring | Nitrile | 021-114-01 | 2 |
| 11 | Main Diaphragm | Nitrile/Nylon | 134-038-01 | 1 |
| 12 | Diaphragm Retainer - Upper | Aluminum | 134-030-02 | 1 |
| 13 | Balancing Diaphragm Retainer | Aluminum | 134-027-01 | 1 |
| 14 | Balancing Diaphragm | Nitrile/Nylon | 134-039-01 | 1 |
| 15 | Piston | Delrin | 134-033-01 | 1 |
| 16 | Piston Ring | Nylon | 134-034-01 | 1 |
| 17 | Spring Washer | SST | 034-008-01 | 1 |
| 18 | Upper Stem Nut | Steel | 134-018-01 | 1 |
| 19 | Main Spring | Music Wire | 040-027-01 | 1 |
| 20 | Piston O-ring | Nitrile | 021-039-01 | 1 |
| 21 | Washer | SST | 034-009-01 | 1 |

Boxed items indicate recommended spare parts

| | | | | |
|------------------|----------------------------|---------|------------|---|
| 22 | 4" FlowMax O-ring Kit | | 134-055-01 | 1 |
| <i>Includes:</i> | | | | |
| | Stem O-ring | Nitrile | 021-211-01 | 1 |
| | Bushing O-ring | Nitrile | 021-122-01 | 1 |
| | Housing O-ring | Nitrile | 021-256-01 | 1 |
| | Spring Case Cap O-ring | Nitrile | 021-141-01 | 1 |
| | Seat O-ring | Nitrile | 021-249-01 | 1 |
| | Plug O-ring | Nitrile | 021-116-01 | 1 |
| | Main Diaphragm O-ring | Nitrile | 021-114-01 | 2 |
| | Indicator Stem O-ring | Nitrile | 021-104-01 | 1 |
| | Indicator Cover O-ring | Nitrile | 021-112-01 | 1 |
| | Piston O-ring | Nitrile | 021-139-01 | 1 |
| | Alignment Pin O-ring | Nitrile | 021-008-01 | 2 |
| | Balancing Diaphragm O-ring | Nitrile | 021-249-01 | 1 |
| | O-ring Lubricant (2 gram) | Silicon | 025-006-01 | 1 |



Delrin is a registered trademark of E.I. duPont de Nemours and Company.

Parts List - 6" FlowMax® Regulator

Includes: 6" RF 150 CL, and 6" FF 150 CL Flanged

| Item | Description | Material | Part Number | Quantity |
|------|---|-------------------|--|-------------|
| 1 | 6" RF Flanged Body (FM-8) 6" FF Flanged Body (FM-9) | Ductile Iron | 136-002-01 136-004-01 | 1 |
| 2 | Body O-ring | Nitrile | 021-367-01 | 1 |
| 3 | Cage | Ductile Iron | 136-014-01 | 1 |
| 4 | Stem O-ring | Nitrile | 021-214-01 | 1 |
| 5 | Stem Bushing | Delrin | 136-017-01 | 1 |
| 6 | Bushing O-ring | Nitrile | 021-124-01 | 1 |
| 7 | Housing Nut | SST | 032-009-02 | 16 |
| 8 | Housing Washer | SST | 034-013-01 | 32 |
| 9 | Housing Capscrew | SST | 030-038-01 | 16 |
| 10 | Actuator Housing - Lower | Aluminum | 136-010-01 | 1 |
| 11 | Housing Alignment Pin (.75) Std Housing Alignment Pin (.063) Housing Alignment Pin (.047) | SST SST SST | 034-049-01 034-050-01 034-051-01 | 1 1 1 |
| 12 | Actuator Housing - Upper | Aluminum | 136-012-01 | 1 |
| 13 | Balancing Diaphragm O-ring | Nitrile | 021-260-01 | 1 |
| 14 | Spring Case | Aluminum | 136-021-01 | 1 |
| 15 | Spring Case Capscrew | SST | 030-039-01 | 8 |
| 16 | Spring Case Cap O-ring | Nitrile | 021-232-01 | 1 |
| 17 | Spring Case Cap | Aluminum | 136-023-01 | 1 |
| 18 | Body Capscrew | SST | 030-019-01 | 4 |
| 19 | Alignment Pin O-ring | Nitrile | 021-008-01 | 2 |

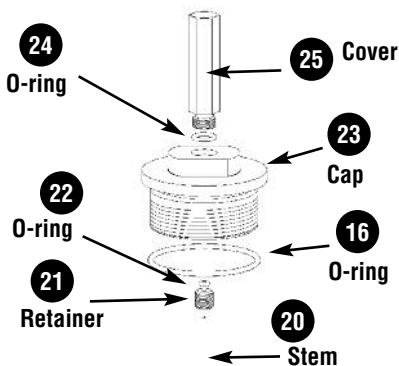
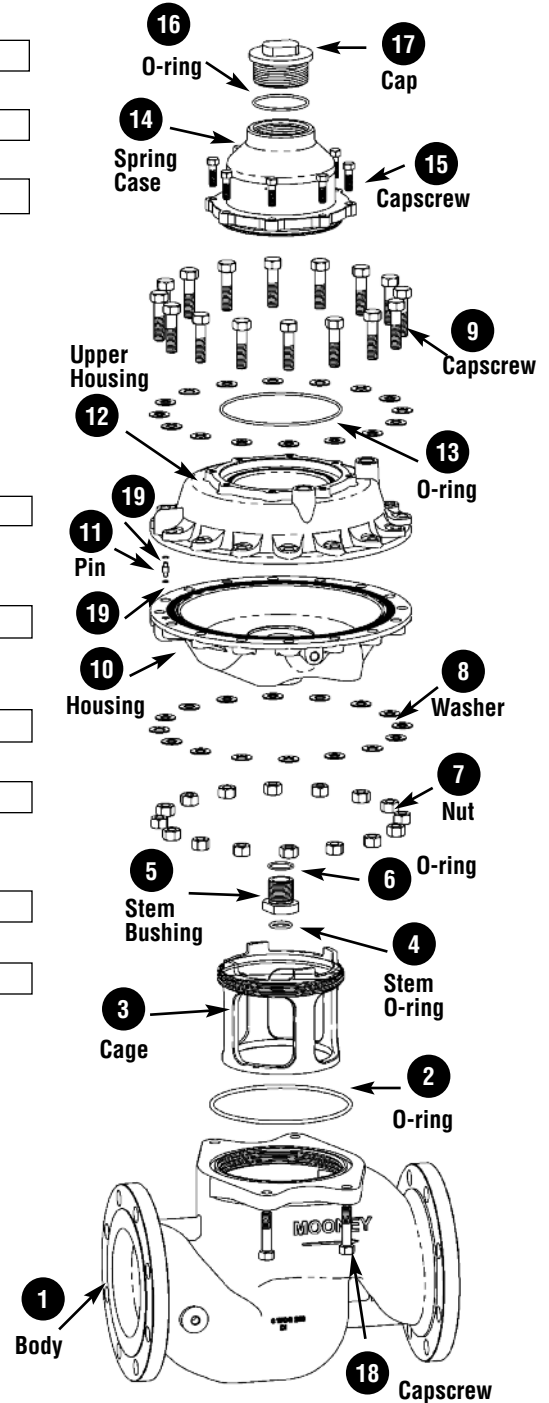
Optional Travel Indicator Kit (136-047-01) including:

| | | | | |
|----|--------------------------------|----------|------------|---|
| 16 | Spring Case Cap O-ring | Nitrile | 021-232-01 | 1 |
| 20 | Indicator Stem | SST | 136-046-01 | 1 |
| 21 | Indicator Stem O-ring Retainer | Nylon | 132-084-01 | 1 |
| 22 | Indicator Stem O-ring | Nitrile | 021-104-01 | 1 |
| 23 | Spring Case Cap | Aluminum | 136-024-01 | 1 |
| 24 | Indicator Cover O-ring | Nitrile | 021-112-01 | 1 |
| 25 | Indicator Cover | Aluminum | 136-045-01 | 1 |

Boxed items indicate recommended spare parts

27 6" FlowMax Rebuild Kit 136-090-01 1
(includes items 1, 5, 7, 9, 10, 13 and 19 from page 10)

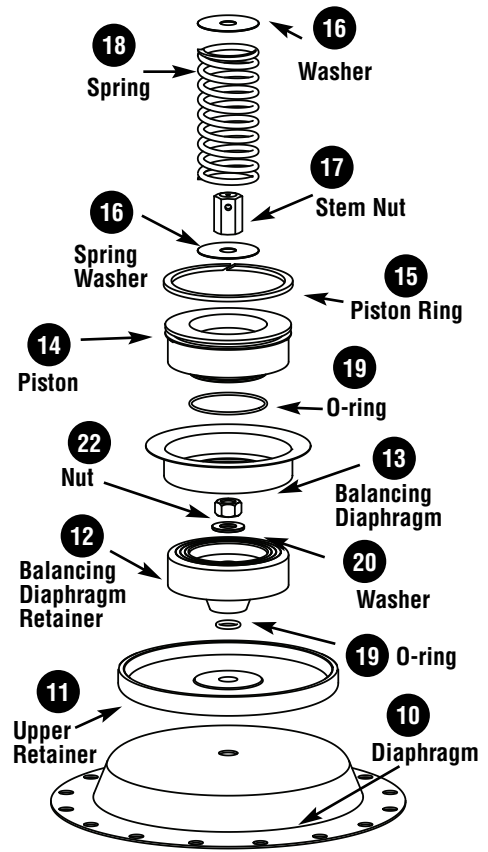
Delrin is a registered trademark of E.I. duPont de Nemours and Company.



Parts List - 6" FlowMax® Regulator

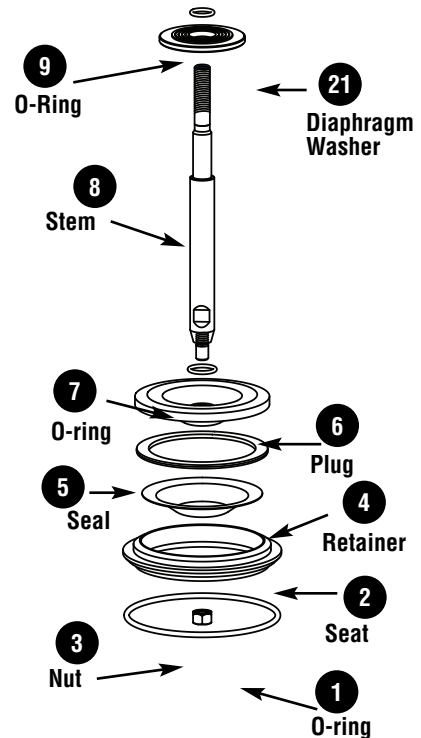
Internal Components

| Item | Description | Material | Part Number | Quantity |
|------|------------------------------|---------------|-------------|----------|
| 1 | Seat O-ring | Nitrile | 021-259-01 | 1 |
| 2 | Seat | SST | 136-005-01 | 1 |
| 3 | Stem Nut | Steel/Nitrile | 033-001-01 | 2 |
| 4 | Plug Seal Retainer | Brass | | 1 |
| | 100% Capacity | | 136-043-01 | |
| | 50% Capacity | | 136-061-01 | |
| 5 | Plug Seal | Nitrile | 136-042-01 | 1 |
| 6 | Plug | Brass | 136-041-01 | 1 |
| 7 | Plug O-ring | Nitrile | 021-212-01 | 1 |
| 8 | Stem | SST | 136-016-01 | 1 |
| 9 | Main Diaphragm O-ring | Nitrile | 021-114-01 | 2 |
| 10 | Main Diaphragm | Nitrile/Nylon | 036-038-01 | 1 |
| 11 | Diaphragm Retainer - Upper | Aluminum | 136-030-01 | 1 |
| 12 | Balancing Diaphragm Retainer | Aluminum | 136-027-01 | 1 |
| 13 | Balancing Diaphragm | Nitrile/Nylon | 136-039-01 | 1 |
| 14 | Piston | Delrin | 136-033-01 | 1 |
| 15 | Piston Ring | Nylon | 136-034-01 | 1 |
| 16 | Spring Washer | SST | 034-011-01 | 2 |
| 17 | Upper Stem Nut | Steel | 136-018-01 | 1 |
| 18 | Main Spring | Music Wire | 040-028-01 | 1 |
| 19 | Balancing Diaphragm O-ring | Nitrile | 021-151-01 | 1 |
| 20 | Balancing Diaphragm Washer | Steel | 034-012-01 | 1 |
| 21 | Main Diaphragm Washer | SST | 136-031-01 | 1 |
| 22 | Main Diaphragm Retaining Nut | SST | 032-003-02 | 1 |



Boxed items indicate recommended spare parts

| | | | | |
|------------------|----------------------------|---------|------------|---|
| 23 | 6" FlowMax O-ring Kit | | 136-055-01 | 1 |
| <i>Includes:</i> | | | | |
| | Stem O-ring | Nitrile | 021-214-01 | 1 |
| | Bushing O-ring | Nitrile | 021-124-01 | 1 |
| | Spring Case Cap O-ring | Nitrile | 021-232-01 | 1 |
| | Seat O-ring | Nitrile | 021-259-01 | 1 |
| | Plug O-ring | Nitrile | 021-212-01 | 1 |
| | Main Diaphragm O-ring | Nitrile | 021-210-01 | 2 |
| | Indicator Stem O-ring | Nitrile | 021-104-01 | 1 |
| | Indicator Cover O-ring | Nitrile | 021-112-01 | 1 |
| | Balancing Diaphragm O-ring | Nitrile | 021-260-01 | 1 |
| | Alignment Pin O-ring | Nitrile | 021-008-01 | 2 |
| | Piston O-ring | Nitrile | 021-151-01 | 1 |
| | Body O-ring | Nitrile | 021-367-01 | 1 |
| | O-ring Lubricant (2 gram) | Silicon | 025-006-01 | 1 |



Delrin is a registered trademark of E.I. duPont de Nemours and Company.

Parts List - Regulator Rebuild Kits

| Kit Designation | Description | Material | Part Number | Quantity |
|-------------------------------|---------------------------------|---------------|-------------------|----------|
| FlowMax Rebuild Kits | | | | |
| 2" FlowMax Rebuild Kit | Includes: | | 132-090-01 | 1 |
| | Plug Seal | Nitrile | 132-070-01 | 1 |
| | Main Diaphragm | Nitrile/Nylon | 132-038-01 | 1 |
| | Balancing Diaphragm | Nitrile/Nylon | 132-039-01 | 1 |
| | Piston Ring | Nylon | 132-085-01 | 1 |
| | O-ring Kit (refer to IOM pg 21) | Nitrile | 132-075-01 | 1 |
| | Body Gasket | Neoprene | 132-025-01 | 1 |
| 3" FlowMax Rebuild Kit | Includes: | | 133-090-01 | 1 |
| | Plug Seal | Nitrile | 133-042-01 | 1 |
| | Main Diaphragm | Nitrile/Nylon | 133-038-01 | 1 |
| | Balancing Diaphragm | Nitrile/Nylon | 133-039-01 | 1 |
| | Piston Ring | Nylon | 133-034-01 | 1 |
| | O-ring Kit (refer to IOM pg 23) | Nitrile | 133-055-01 | 1 |
| | Body Gasket | Neoprene | 133-025-01 | 1 |
| 4" FlowMax Rebuild Kit | Includes: | | 134-090-01 | 1 |
| | Plug Seal | Nitrile | 134-042-01 | 1 |
| | Main Diaphragm | Nitrile/Nylon | 134-038-01 | 1 |
| | Balancing Diaphragm | Nitrile/Nylon | 134-039-01 | 1 |
| | Piston Ring | Nylon | 134-034-01 | 1 |
| | O-ring Kit (refer to IOM pg 25) | Nitrile | 134-055-01 | 1 |
| | Body Gasket | Neoprene | 134-025-01 | 1 |
| 6" FlowMax Rebuild Kit | Includes: | | 136-090-01 | 1 |
| | Plug Seal | Nitrile | 136-042-01 | 1 |
| | Main Diaphragm | Nitrile/Nylon | 136-038-01 | 1 |
| | Balancing Diaphragm | Nitrile/Nylon | 136-039-01 | 1 |
| | Piston Ring | Nylon | 136-034-01 | 1 |
| | O-ring Kit (refer to IOM pg 27) | Nitrile | 136-055-01 | 1 |

Mooney
Dresser, Inc.
2822 S. 1030 W.
Salt Lake City, Utah 84119
Phone: 801.487.2225 Fax: 801.487.2587
www.mooneycontrols.com

©2007 Dresser, Inc.
FlowGrid and Mooney are registered trademarks of Dresser, Inc.



www.dresser.com

FlowMax Parts List
6.08