

30, 30A, 30S MOONEY® FILTER INSTALLATION/OPERATION/MAINTENANCE MANUAL

SCOPE

This manual provides installation, operation and maintenance instructions for the **Type 30/30A/30S/ Mooney® Filters**. Instructions for the Flowgrid® regulator, FlowMax® regulator, and Pilot will be found in separate manuals.

PRODUCT DESCRIPTION

The **Type 30/30A/30S/ Mooney® Filter** is designed to remove dirt and other particulates in the pilot supply that could affect the restrictor or variable orifice in the pilot. The Filter can be used in a variety of other gas and liquid applications.

INSTALLATION

The following instructions apply to mounting the Type 30/30A/30S/ Mooney® Filter on the Flowgrid® regulator, FlowMax® regulator and connecting to the pilot system. Refer to the Flowgrid® regulator, FlowMax® regulator, and Pilot IOM manuals for installation instructions and start up procedures.

WARNING

Personal injury, equipment damage, or leakage due to explosion of accumulated gas or bursting of pressure containing parts may result if this FILTER is overpressured or is installed where service conditions could exceed the limits given in the specification of this manual or on the nameplate, or where conditions exceed any ratings of the adjacent piping or piping connections. Verify the limitations of both valve and pilot to ensure neither device is overpressured. To avoid such injury or damage, provide pressure relieving or pressure limiting devices (as required by the Title 49, Part 192, of the U.S. code of Federal Regulations, by the National Fire Codes of the National Fire Protection Association, or by other applicable codes) to prevent service conditions from exceeding those limits. Additionally, physical damage to the valve/regulator, codes break the pilot or filter off the main valve, causing personal injury and/or property damage due to explosion of accumulated gas. To avoid injury and damage, install the filter in a safe location.



Figure 1 - The Type 30A Mooney® Filter with Filter Housing removed allowing easy inspection of the element. Mounted on a 2" large single Port Flowgrid® Regulator with Series 20 Pilot and Type 24 Restrictor.

1. Personnel: Installation of the Filter should be made by qualified personnel familiar with high pressure piping and pilot operated regulators.
1. Prior Inspection: Inspect the Filter for any damage that might have occurred in shipping. Make sure the body ports are clear of foreign material.
3. Orientation; The Type 30/30A/30S/ Mooney® Filter should be installed with the Drain Plug down to allow drainage of liquids that may accumulate in the Filter Housing (Refer to Figure 2, page 2).
3. Filter Mounting: Apply pipe dope a 1/4 inch NPT schedule 80 seamless pipe nipple and mount filter by connecting the INLET connection on the filter to the body tap on the valve.
4. Filter Outlet: Run 3/8 inch tubing or 1/4 inch pipe from the filter OUTLET port to the INLET side of the restrictor in the pilot system of the regulator. The Type 30/30A/30S/ Mooney® Filter has two OUTLET ports for ease of tubing. Block the other port with the plug provided.

NOTE: To avoid galling when stainless steel to stainless steel connections are made use a lubricant (such as NEVER SEEZ by Bostik). For best results LIGHTLY lubricate the female threads. Mixing the lubricant with pipe dope is also acceptable. Do not exceed more than 1/4 turn past the point the threads start to bind.

START UP OPERATION

The Type 30/30A/30S/ Mooney® Filter does **NOT** require any special start up procedures. Start up of the Mooney Filter should be made by qualified personnel familiar with high pressure systems and pilot operated regulators. Consult the instruction manual for the valve and pilot being used. Some valves and pilots can be damaged if not installed and put into operation correctly.

MAINTENANCE

Filter element is subject to plugging and must be inspected and replaced as necessary. The frequency of inspection and replacement of the filter element depends on severity of service conditions and the length of time in service.

WARNING

Before disassembly make sure the regulator and filter have been isolated from the process by closing block valves on the inlet and outlet sides of the regulator. Safety release pressure and process fluid from body and pilot system. Failure to properly complete these steps may result in personal injury and property damage.

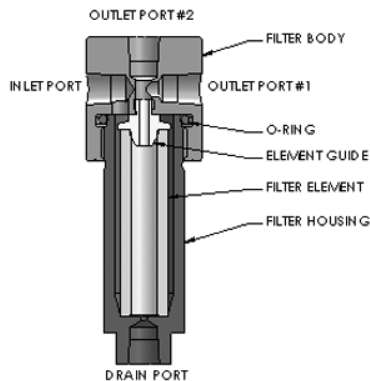


Figure 2

WARRANTY

LIMITED WARRANTY: Seller warrants title and that the goods manufactured by the Seller will be free from defects in materials and workmanship under normal use and service until the expiration of the earlier of twelve (12) months from the date of initial operation or eighteen (18) months from the date of shipment by Seller. Resale goods shall carry only the warranty extended by the original manufacturer to the original purchaser. If, within thirty (30) days after Buyer's discovery of any warranty defects, Buyer notifies Seller in writing, Seller shall, at its option, promptly repair or replace F.O.B. point of manufacture, that portion of the goods found by Seller to be defective. Goods repaired and parts replaced during the original warranty period shall be in warranty for the remainder of the original warranty period. This warranty is the only warranty made by Seller and can only be amended by a written instrument signed by an officer of Seller. Subject to this warranty and except as expressly provided **IN SALES LITERATURE, DRESSER MOONEY CONTROLS, DRESSER, INC. MAKES NO REPRESENTATION OR WARRANTY OF ANY KIND, EXPRESS OR IMPLIED, AS TO MERCHANTABILITY, FITNESS FOR PARTICULAR PURPOSE, OR ANY OTHER MATTER WITH RESPECT TO ANY OF THE PRODUCTS.**

Mooney

Dresser, Inc.

2822 S. 1030 W.

Salt Lake City, Utah 84119

Phone: 801.487.2225 Fax: 801.487.2587

www.mooneycontrols.com

DISASSEMBLY

1. After depressurizing main valve and filter unscrew and remove Filter Housing from the Filter Body.
2. Inspect Filter Element and replace if necessary.
3. Remove Filter O-Ring. A paper clip or other suitable tool can be used. Inspect for defects and replace if necessary.

ASSEMBLY

1. Lubricate O-ring with Parker O-Lube (or equivalent Petroleum based lubricant) and place back in the Filter Body.
2. If the Filter Guide is removed, apply a small quantity of Lock-Tight (or equivalent) to the threaded area and screw hand tight into Filter Body.
3. Lubricate the threads of the Filter Housing with Lubraplate (or equivalent Petroleum based lubricant).
4. Place Filter Element in Filter Housing and screw Housing into Filter Body snugly (over tightening and O-Ring joint will not improve the seal). The element will guide itself into place regardless of the orientation of the Filter.

PARTS LIST

High Pressure Conversion				
Item	Description	Material	Part #	Qty.
1	Body			1
		Aluminum	301-006-01	
		Stainless Steel	301-006-02	
		Steel	301-066-03	
2	Housing			1
		Aluminum	301-004-01	
		Stainless Steel	301-004-02	
		Steel	301-004-03	
3	Element Guide	Stainless Steel	301-007-01	1
4	Element	Polyethylene	301-005-01	1
5	O-Ring	Nitrile	021-217-01	1
6	Plug			2
		Steel	010-017-01	
		Stainless Steel	010-017-02	

While the information in this manual is presented in good faith and believed to be accurate, Dresser Pressure Regulation Group, Dresser, Inc. does not guarantee satisfactory results from reliance on such information. Dresser Pressure Regulation Group, Dresser Inc. reserves the right, without notice, to alter or improve the designs or specifications of the products described herein.



www.dresser.com

Type 30 Filter IOM_730-059-02
5.08