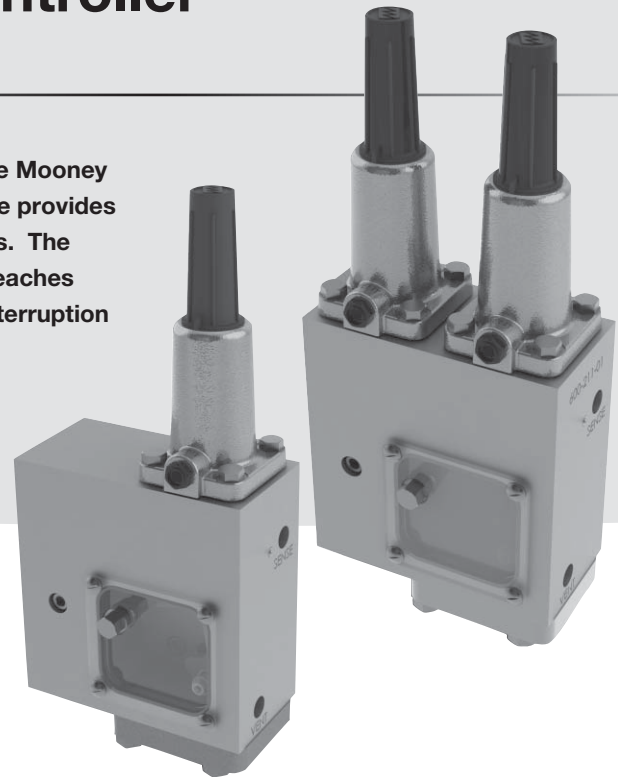


Series 50, 50D & 50DS Controller

The Mooney® Rotary Slam Shut™ Controller when used with the Mooney Shutoff Valve or Mooney Flowgrid® Regulator and Shutoff Valve provides additional downstream protection by cutting off the flow of gas. The interrupt of the gas flow is automatic when the gas pressure reaches preset over pressure or/and under pressure limits. Gas flow interruption can also be initiated remotely (optional) or manually.



Specifications

Connections	1/4" FNPT Port*
Temperature	-20°F to 150°F (-29°C to 65°C)
Pressure Rating	740 psig (50 bar)
Minimum Sense Pressure	15 psig (1 bar)
Maximum Sense Pressure	450 psig (31 bar)
Response Time	< .25 Sec
Weight	14 pounds (6 Kg)

* The Series 50DS Dual Function Controller has two sense ports.

Materials of Construction

Body & Actuator	6061 T6 Aluminum
Spring Housing	Cast Aluminum ASTM A 356 T6 or 356 T6
Springs	Alloy Steel ASTM A 228-02, ASTM A 401-03 Stainless Steel ASTM A 313-03
Sensing Diaphragms	Nitrile/Nylon Viton Nylon
Actuator Diaphragm	Nitrile/Polyester
O-Rings & Seals	Nitrile
Poppet	17-4 & 303 Stainless Steel
Bolts	Stainless Steel ASTM A 193-B8 Steel SAE J429 Grade 8

Models

Series 50 Single Function Controller with over pressure protection or optional under pressure protection

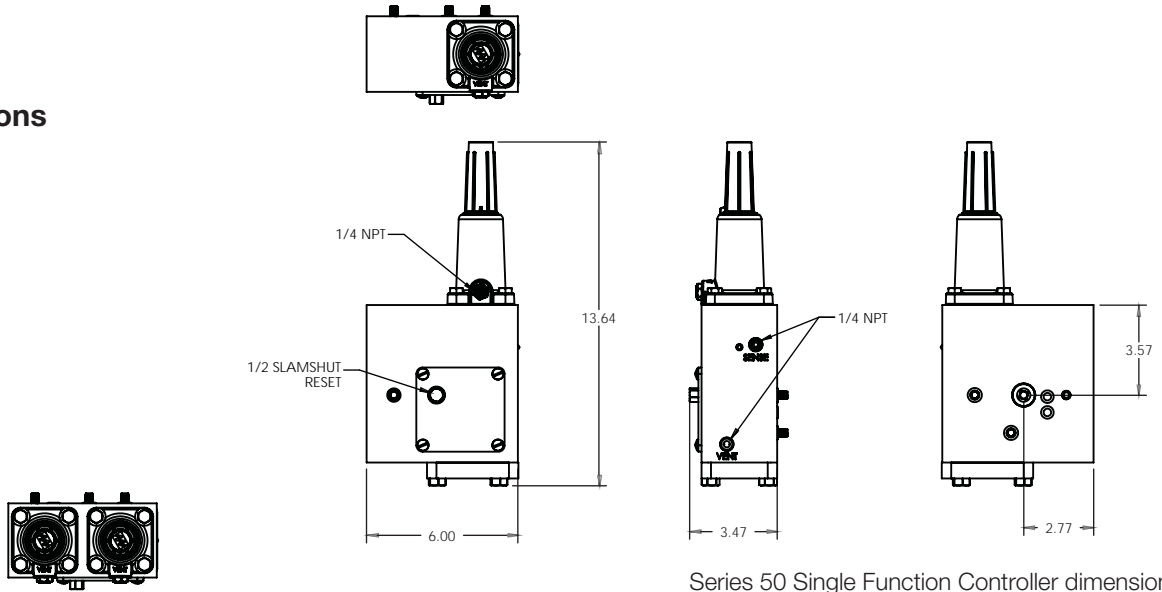
Series 50D Dual Function Controller with over pressure protection and under pressure protection

Series 50DS Dual Function Controller with two sense ports each with independent over pressure protection or under pressure protection

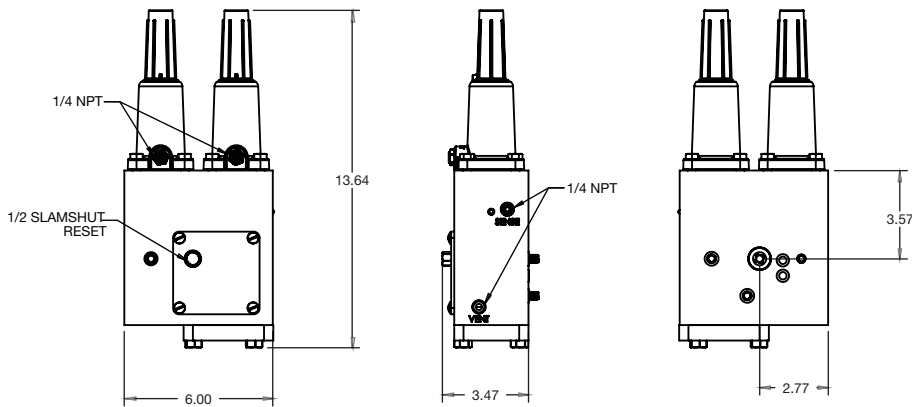
Over and Under Pressure Set Point Ranges

Color	Pressure Range	Accuracy
Plated	10-40 psi (0.7 to 3 Bar)	2.50%
Blue	40-90 psi (3 to 6 Bar)	2.50%
Purple	90-175 psi (6 to 12 bar)	2.50%
Black	175-250 psi (12 to 17 Bar)	1%
White/Green	250-450 psi (17 to 31 Bar)	1%

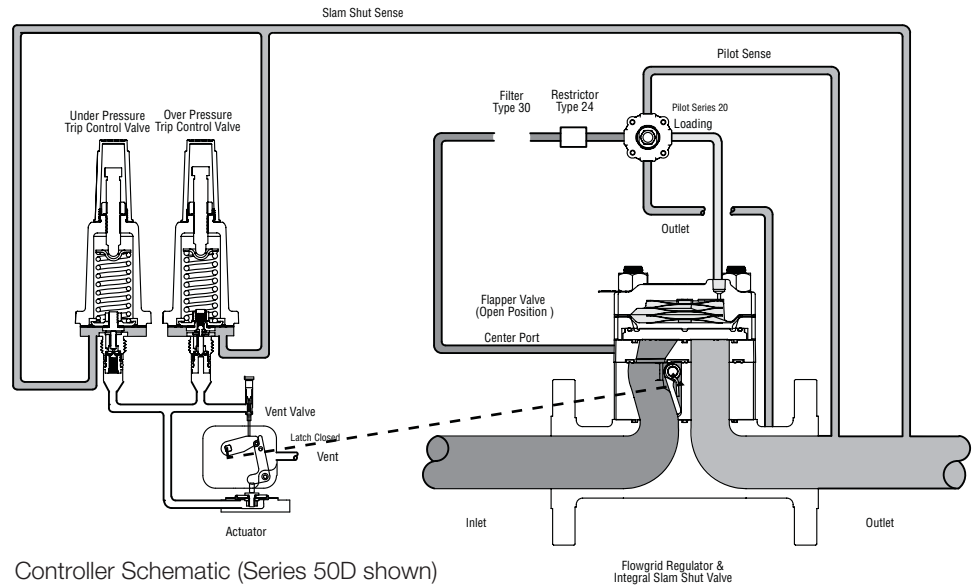
Dimensions



Series 50 Single Function Controller dimensions.



Series 50D and 50DS Dual Function Controller dimensions.



Controller Schematic (Series 50D shown)

Dresser, Inc.
 2822 S. 1030 W.
 Salt Lake City, Utah 84119
 Phone: 801.487.2225 Fax: 801.487.2587
www.dresser.com/mooney

