



## 4" Mooney® Slam Shut

Flanged CL 150, 300

The 4" Mooney Slam Shut is a unique pneumatically actuated device that automatically provides downstream pressure protection. By separating the pneumatic controller and mechanical latching mechanism, shut off is guaranteed to occur only when designated set points are reached. The patent pending design prevents disruptive and costly "accidental shutoffs". Positive shutoff is achieved instantly through the snap acting mechanism, and reset can be completed with common tools.

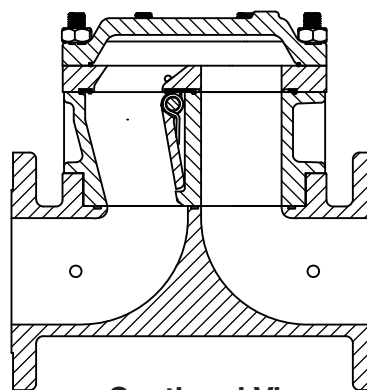


Flowgrid® Regulator with Integral Shutoff Valve, Series 50D Dual Function Controller.

### Specifications

<b>Size</b>	4"
<b>Body Style</b>	Single Port
<b>End Connections</b>	4"CL 150 RF Flange, 4" CL 300 RF Flange, 150/300 Butt weld
<b>Temperature</b>	Working -20°F to 150°F (-29°C to 65°C)
<b>Maximum Inlet Pressure</b>	740 psig (50 bar)
<b>Outlet Pressure Range</b>	Limited by SSV controller
<b>Flow Direction</b>	Uni-Directional
<b>Taps</b>	Four 1/4" - 18 NPT (one inlet, one center port*, one loading and one downstream)

\*Center port - between flapper valve and regulator



Sectional View

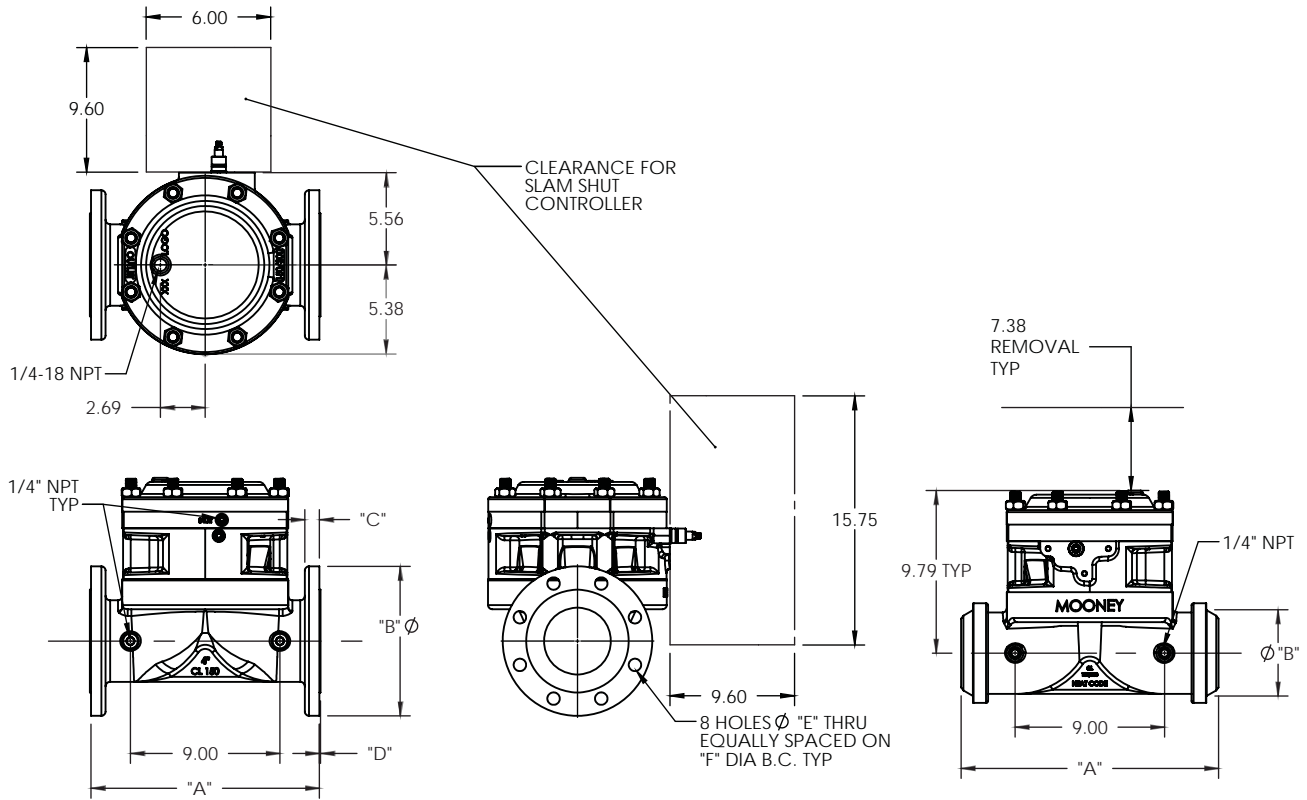
### Materials of Construction

<b>Body, Seal Retainer and Flapper Body</b>	ASTM A 216 GR WCB Carbon Steel
<b>Cap</b>	ASTM A 516 Carbon Steel
<b>Flapper and Shaft</b>	17-4 PH Stainless Steel
<b>O-Ring and Seals</b>	Nitrile, Optional Viton
<b>Studs and Nuts</b>	ASTM A 193 GR B-7 ASTM A 194 GR 2H or Equal
<b>Springs</b>	ASTM A 313-03 17-17 SS
<b>Bushings</b>	Acetal

### Stock Numbers

4" Mooney Slam Shut	Stock Number	Weight
150# Flange	SA-39	163 lbs
300# Flange	SA-40	178 lbs
150/300# Butt weld	SA-63	146 lbs

## Dimensions



## Flange Dimensions

Flange Class	A	B	C	D	E	F
Class 150	13.88	9.00	1.00	0.62	7.50	7.50
Class 300	14.50	10.00	1.25	0.62	8.75	7.87
Buttweld	15.50	5.19	-	-	-	-

## Flow Coefficients and Constants\*

4" Mooney Slam Shut		
$C_v$	$C_1$	$C_g$
192	38	7000

\* Preliminary Data.

**Dresser, Inc.**  
 2822 S. 1030 W.  
 Salt Lake City, Utah 84119  
 Phone: 801.487.2225 Fax: 801.487.2587  
[www.dresser.com/mooney](http://www.dresser.com/mooney)

