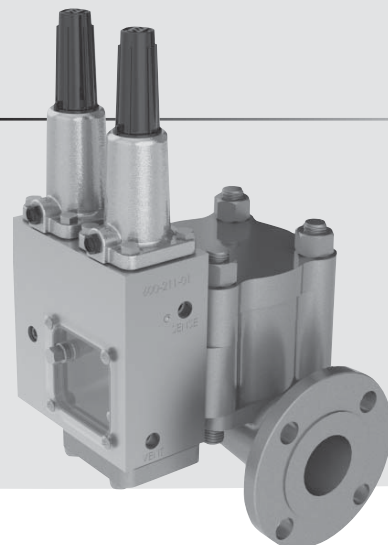




2" Mooney® Slam Shut 250

NPT CL 300 CL 150 RF, CL 300 RF

The Mooney Slam Shut 250 is a unique pneumatically actuated device that automatically provides downstream pressure protection. By separating the pneumatic controller and mechanical latching mechanism, shut off is guaranteed to occur only when designated set points are reached. The patent pending design prevents disruptive and costly “accidental shutoffs”. Positive shutoff is achieved instantly through the snap acting mechanism, and reset can be completed with common tools.



Flowgrid® Regulator with Integral Shutoff Valve, Series 50D Dual Function Controller.

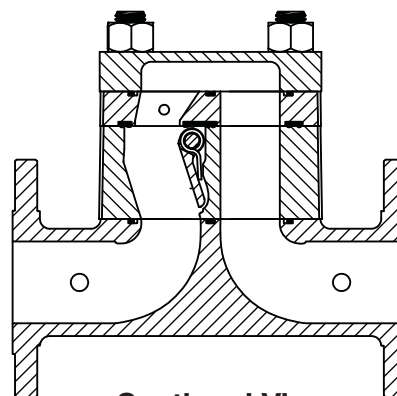
Specifications

Size	2"
Body Style	Flowgrid 250 Single Port
End Connections	2" NPT CL 300, 2" 2" CL 150 RF Flange, 2" CL 300
Temperature	Working -20°F to 150°F (-29°C to 65°C)
Maximum Inlet Pressure	250 psig (17 bar)
Flow Direction	Uni-Directional
Taps	Four 1/4" - 18 NPT (one inlet, one center port**, one loading and one downstream)

*Center port - between flapper valve and regulator

Materials of Construction

Body	Ductile Iron ASTM A 395
Seal Retainer and Flapper Body	ASTM A 216 GR WCB Carbon Steel
Cap	ASTM A 516 Carbon Steel
Flapper and Shaft	17-4 Ph Stainless Steel
O-Ring and Seals	Nitrile, Optional Viton
Studs and Nuts	ASTM A 193 GR B-7 ASTM A 194 GR 2H or Equal
Springs	ASTM A 313-03 17-17 SS
Bushings	Acetal

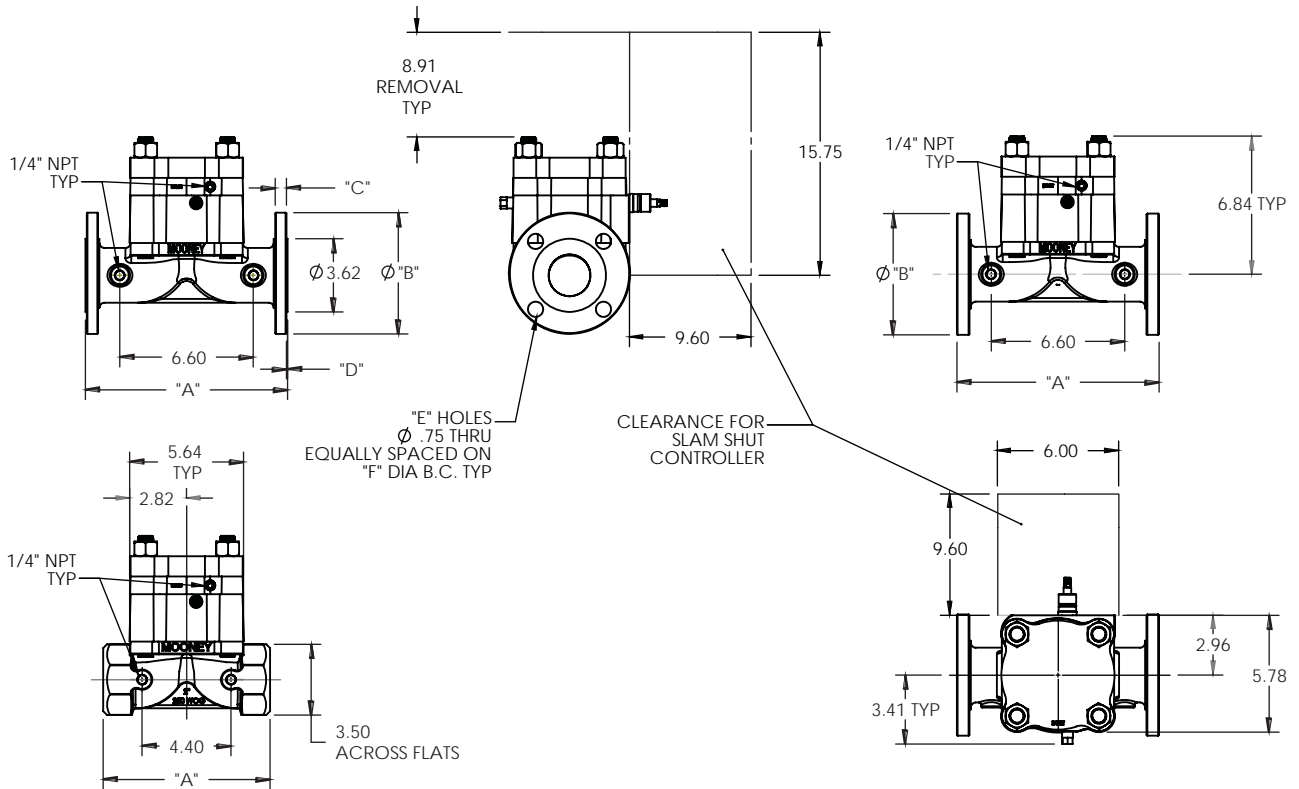


Sectional View

Stock Numbers

Mooney Slam Shut 250	Stock Number	Weight
NPT CL 300	SA-82	49
150# Flange RF	SA-83	59
300 # Flange RF	SA-84	59

Dimensions



Flange Dimensions

Flange Class	A	B	C	D	E	F
Class 150	10.00	6.00	.62	.06	4	4.75
Class 300	10.00	6.00	.56	—	4	4.75
NPT/SWE	8.25	—	—	—	—	—

Flow Coefficients and Constants*

Mooney Slam Shut 250		
C_v	C_1	C_g
55	35	1700

* Preliminary Data.

Dresser, Inc.
 2822 S. 1030 W.
 Salt Lake City, Utah 84119
 Phone: 801.487.2225 Fax: 801.487.2587
www.dresser.com/mooney

