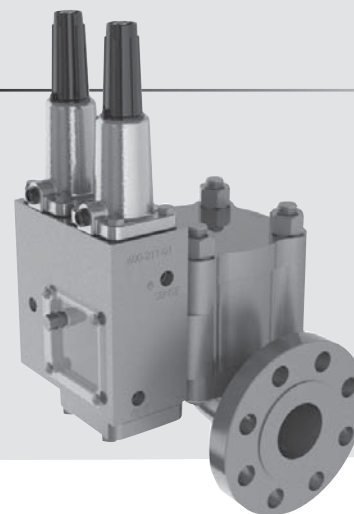




2" Mooney® Slam Shut

Flanged CL 150, 300 NPT & SWE CL 300 Butt weld CL 300

The 2" Mooney Slam Shut is a unique pneumatically actuated device that automatically provides downstream pressure protection. By separating the pneumatic controller and mechanical latching mechanism, shut off is guaranteed to occur only when designated set points are reached. The patent pending design prevents disruptive and costly "accidental shutoffs". Positive shutoff is achieved instantly through the snap acting mechanism, and reset can be completed with common tools.

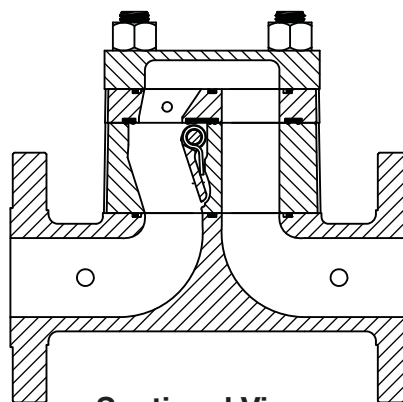


Specifications

Size	2"
Body Style	Single Port
End Connections	2" NPT CL 300, 2" SWE CL 300, 2" CL 150 RF Flange, 2" CL 300 RF Flange, 2" Butt weld CL 300
Temperature	Working -20°F to 150°F (-29°C to 65°C)
Maximum Inlet Pressure	740 psig (50 bar)
Outlet Pressure Range	Limited by SSV controller
Flow Direction	Uni-Directional
Taps	Four 1/4" - 18 NPT (one inlet, one center port*, one loading and one downstream)

*Center port - between flapper valve and regulator

Flowgrid® Regulator with Integral Shutoff Valve, Series 50D Dual Function Controller.



Sectional View

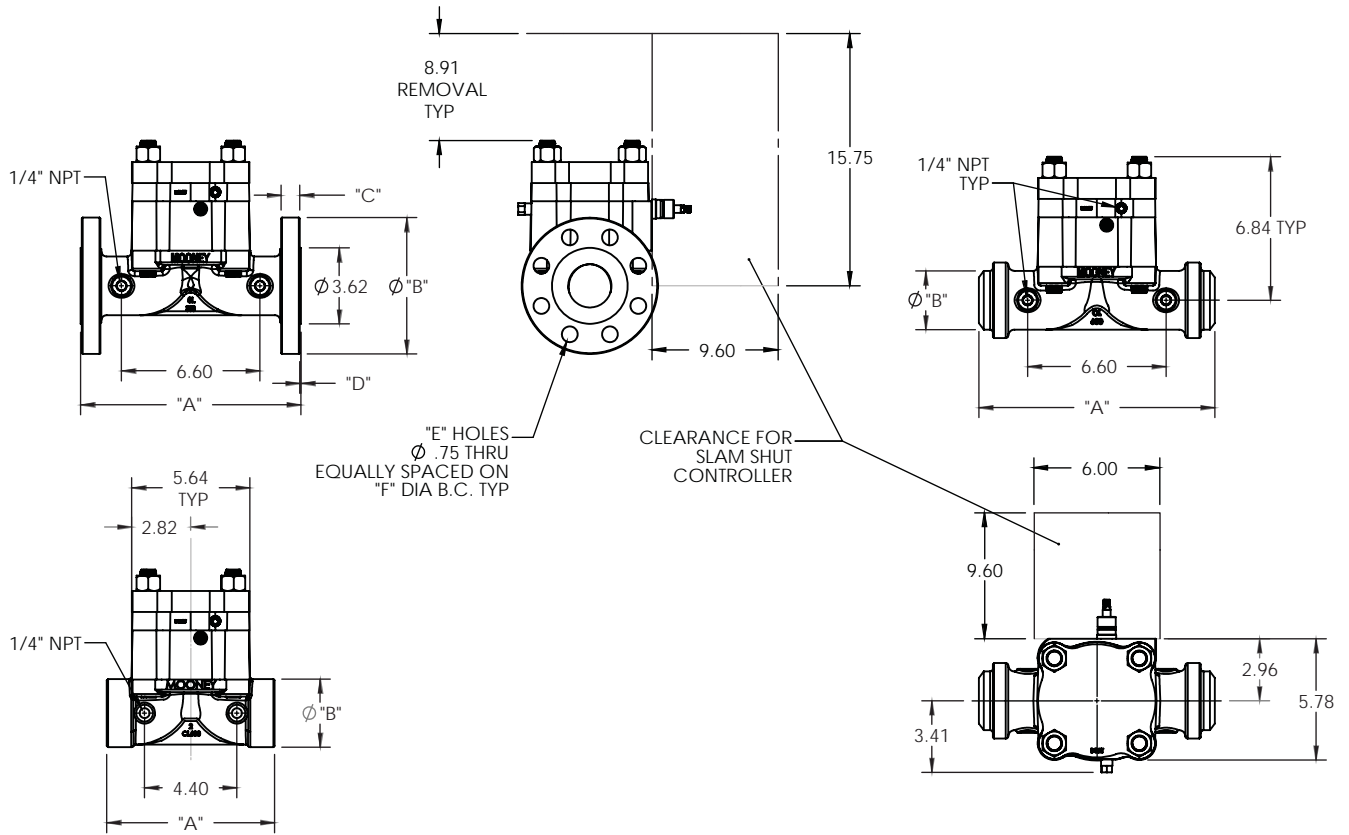
Materials of Construction

Body, Seal Retainer and Flapper Body	ASTM A 216 GR WCB Carbon Steel
Cap	ASTM A 516 Carbon Steel
Flapper and Shaft	17-4 PH Stainless Steel
O-Ring and Seals	Nitrile, Optional Viton
Studs and Nuts	ASTM A 193 GR B-7 ASTM A 194 GR 2H or Equal
Springs	ASTM A 313-03 17-17 SS
Bushings	Acetal

Stock Numbers

2" Mooney Slam Shut	Stock Number	Weight
NPT CL 300	SA-1	52 lbs
SWE CL 300	SA-2	52 lbs
150# Flange	SA-3	63 lbs
300 # Flange	SA-4	67 lbs
Butt weld CL 300	SA-76	60 lbs

Dimensions



Flange Dimensions

Flange Class	A	B	C	D	E	F
Class 150	10.00	6.00	.75	.06	4	4.75
Class 300	10.50	6.50	.88	.06	8	5.00
SWE/NPT	8.25	3.25	-	-	-	-
Buttweld	11.25	2.80	-	-	-	-

Flow Coefficients and Constants

2" Mooney Slam Shut		
C_v	C_1	C_g
40	35	1700

Dresser, Inc.
 2822 S. 1030 W.
 Salt Lake City, Utah 84119
 Phone: 801.487.2225 Fax: 801.487.2587
www.dresser.com/mooney

