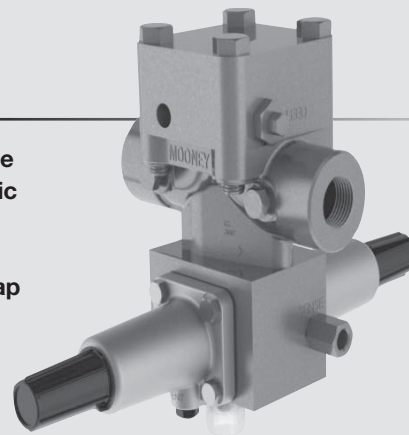


1" and 1-1/4" Shutoff Valve

The 1" Mooney Slam Shut is a slam shut valve. This pneumatically actuated device provides automatic downstream pressure protection. By separating the pneumatic controller and mechanical latching mechanism, shut off occurs only when designated set points are reached. The patent pending design prevents disruptive and costly "accidental shutoffs". Positive shutoff is achieved instantly through the snap acting mechanism, and reset can be completed with common tools.



1" Mooney Slam Shut with Series 41D Dual Function Controller.

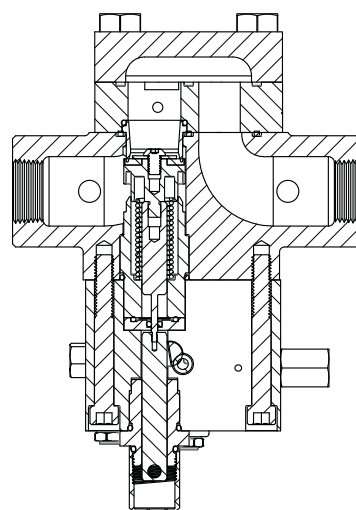
Specifications

Size	1" and 1-1/4"
Body Style	Standard Single Port with Slam Shut
End Connections	1" NPT, 1-1/4" NPT. 1" SWE, 1-1/4" SWE 1" CL 150 RF, 1" CL 300 RF
Temperature*	Working -20°F to 150°F (-29°C to 65°C)
Maximum Differential	740 psig (50 bar)
Minimum Differential	0 psig
Maximum Inlet Pressure	740 psig (50 bar)
Outlet Pressure Range	5-450 psig (0.34 - 31 bar)
Flow Direction	Uni-Directional
Taps	Four 1/4" - 18 NPT

*EN 334 and EN 14382 restricts the minimum temperature to -4° (-20°).

Materials of Construction

Valve Body, Bleed Plate & Cover	Carbon Steel WCB
Slam Shut Seat	SST
Slam Shut Seal	Nitrile
Slam Shut Housing, Slam Shut Spring Case	Aluminum
Spring Cover	Aluminum
Rotating Shaft	SST
Main Shaft Guide	Delrin
End Cap	Lexan
Plug Seal	Nitrile
O-Rings	Nitrile

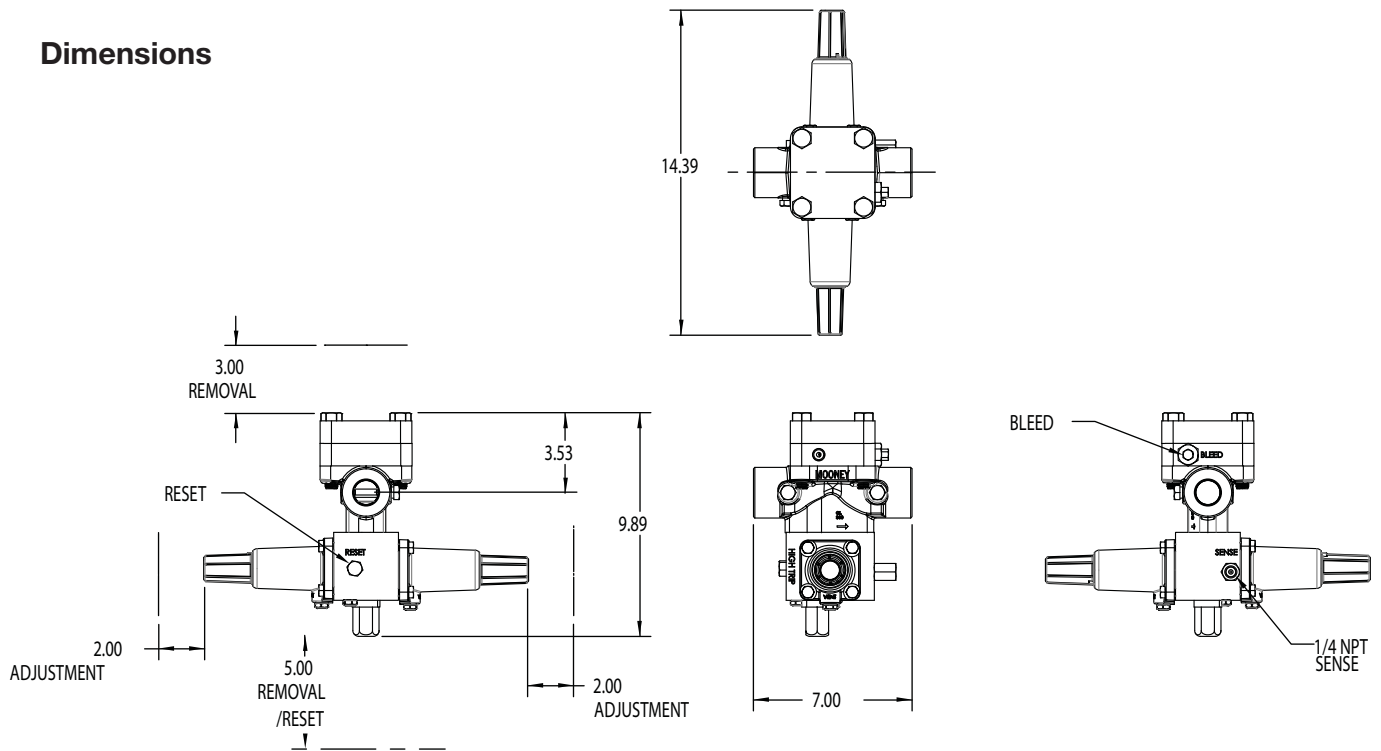


Sectional View

Stock Numbers

1" and 1-1/4" Shutoff Valve	Stock Number	Face to Face Dimensions	Weight
1" NPT	SA-123	7.00	21 lbs
1-1/4" NPT	SA-124	7.00	21 lbs
1" SWE	SA-125	7.00	21 lbs
1-1/4" SWE	SA-126	7.00	21 lbs
1" CL 150 RF	SA-127	7.25	21 lbs
1" CL 300 RF	SA-128	7.75	21 lbs

Dimensions



Flow Coefficients and Constants

1" Shutoff Valve			Swage Factor	
C_v	C_1	C_g	1.5:1	2:1
12.3	38	470	0.96	0.93

Reset NOTE: To reset SSV, sense pressure must be reduced (or increased for Under Pressure) by 20% or more of set pressure.

Preliminary Data

Plug Seal Selection

	Compound	Temp. Range (Degrees F)	Maximum Differential	Characteristics	Recommended Applications
SSV Plug Seal	90 Duro Nitrile	10 to 150	740 psid	Best High Pressure Abrasive Material	High Differential Applications or Abrasive Conditions with or without Distillates
	80 Duro Nitrile Low ACN	-20 to 150	740 psid	Best Lower Pressure Low Temperature Material	Low Temperature

Dresser, Inc.
 2822 S. 1030 W.
 Salt Lake City, Utah 84119
 Phone: 801.487.2225 Fax: 801.487.2587
www.dresser.com/mooney

