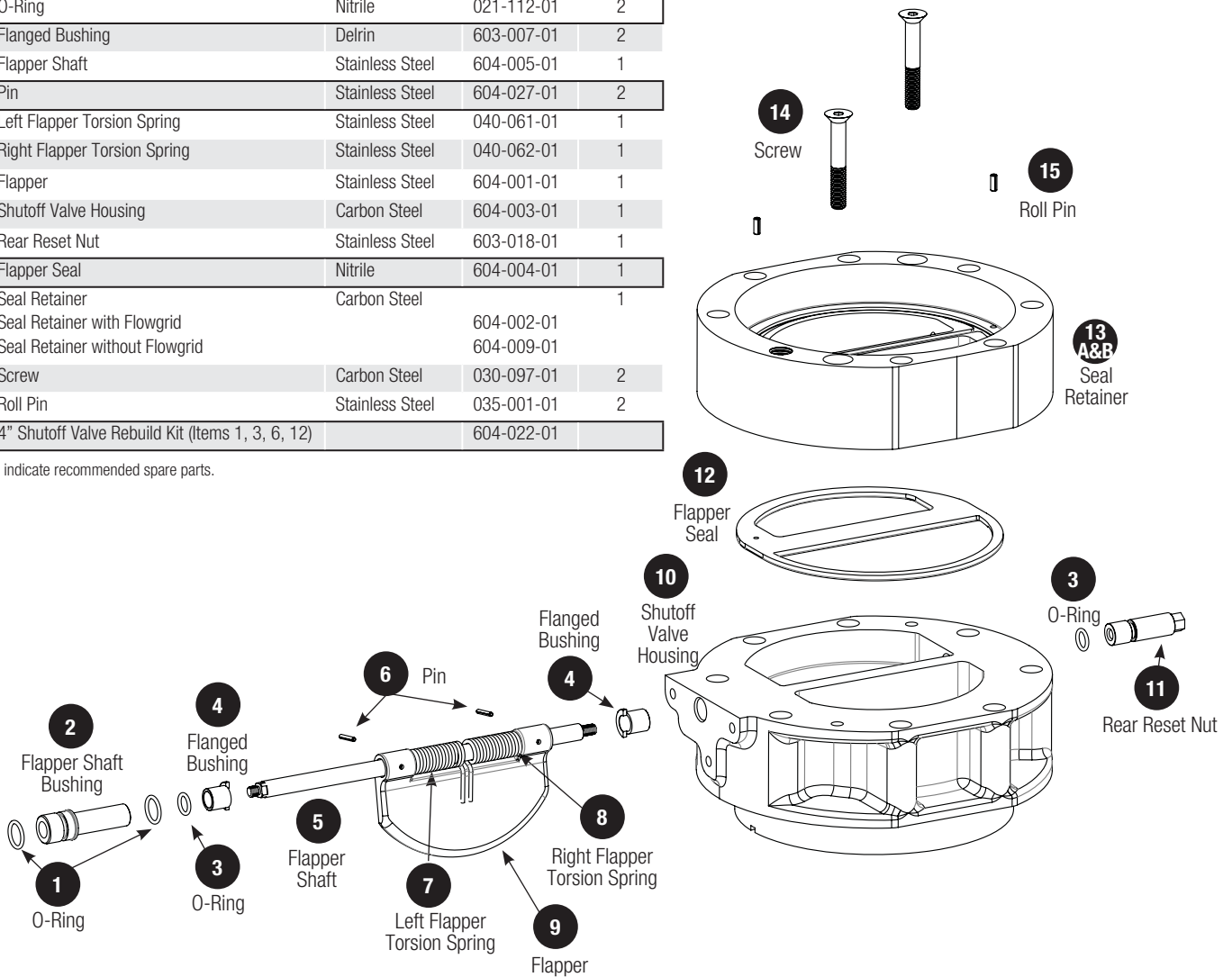


4" Shutoff Valve Assembly

Parts List

Item	Description	Material	Part Number	Quantity
1	O-Ring	Nitrile	021-115-01	2
2	Flapper Shaft Bushing	Delrin	603-019-01	1
3	O-Ring	Nitrile	021-112-01	2
4	Flanged Bushing	Delrin	603-007-01	2
5	Flapper Shaft	Stainless Steel	604-005-01	1
6	Pin	Stainless Steel	604-027-01	2
7	Left Flapper Torsion Spring	Stainless Steel	040-061-01	1
8	Right Flapper Torsion Spring	Stainless Steel	040-062-01	1
9	Flapper	Stainless Steel	604-001-01	1
10	Shutoff Valve Housing	Carbon Steel	604-003-01	1
11	Rear Reset Nut	Stainless Steel	603-018-01	1
12	Flapper Seal	Nitrile	604-004-01	1
13	Seal Retainer	Carbon Steel	604-002-01	1
13A	Seal Retainer with Flowgrid		604-002-01	
13B	Seal Retainer without Flowgrid		604-009-01	
14	Screw	Carbon Steel	030-097-01	2
15	Roll Pin	Stainless Steel	035-001-01	2
16	4" Shutoff Valve Rebuild Kit (Items 1, 3, 6, 12)		604-022-01	

Boxed items indicate recommended spare parts.



Dresser, Inc.

2822 S. 1030 W.
 Salt Lake City, Utah 84119
 Phone: 801.487.2225 Fax: 801.487.2587
www.dresser.com/mooney