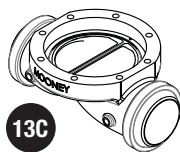


4" Flowgrid® Regulator & Shutoff Valve Assembly

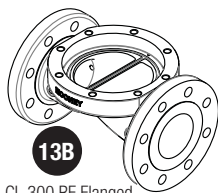
Parts List

Item	Description	Material	Part Number	Quantity
1	Nut	ANSI 2H	032-003-01	8
2	Capacity Tag	Brass	100-013-01	1
3	Spring Case	Carbon Steel	104-010-01	1
4	Main Spring			1
4A	Standard	Stainless Steel	104-014-01	
4B	Low Differential	Stainless Steel	104-019-01	
5	Diaphragm			1
5A	75 Durometer	Nitrile	104-013-01	
5B	60 Durometer	Nitrile	104-013-02	
5C	80 Durometer HI- ACN	Nitrile	104-013-04	
5D	80 Durometer Lo-ACN	Nitrile	104-013-03	
6	Spacer	Carbon Steel	104-011-01	1
7	O-Ring Spacer	Rubber	021-265-01	1
8	Throttle Plate			1
8A	100% Capacity Slotted	17-4 PH SST	104-012-01	
8B	75% Capacity Slotted	17-4 PH SST	104-022-01	
8C	50% Capacity Slotted	17-4 PH SST	104-018-01	
8D	35% Capacity Slotted	17-4 PH SST	104-023-01	
8E	100% Capacity Drilled Hole	A 515 w/ENC Coating	104-009-01	
8F	75% Capacity Drilled Hole	A 515 w/ENC Coating	104-033-01	
8G	50% Capacity Drilled Hole	A 515 w/ENC Coating	104-031-01	
8H	35% Capacity Drilled Hole	A 515 w/ENC Coating	104-034-01	
9	Body Seal	Nitrile	104-016-01	2
10	Roll Pin	Carbon Steel	035-001-01	2
11	Shutoff Valve Assembly		604-006-01	1
12	Stud	ANSI B7	031-030-01	8
13	Body-Single Port			1
13A	4" CL 150 RF Flanged (SG-39)	Carbon Steel	104-003-01	
13B	4" CL 300 RF Flanged (SG-40)	Carbon Steel	104-005-01	
13C	4" CL 150/300 Buttweid (SG-63)	Carbon Steel	104-024-01	
14	4" Rebuild Kit (Items 5, 7, 9) (XX Indicate Diaphragm Durometer, Refer to Item 5)		604-023-XX	

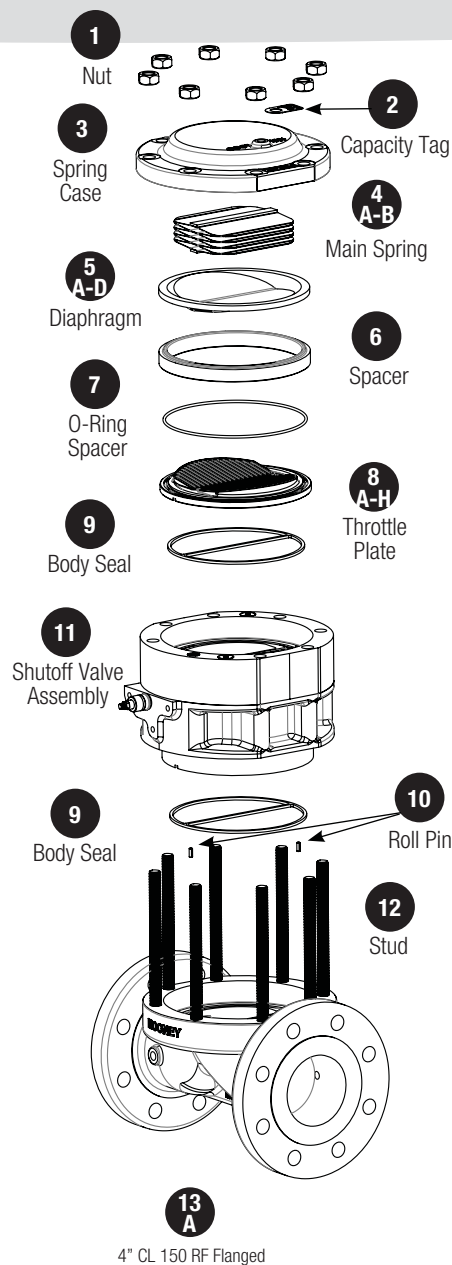
Boxed items indicate recommended spare parts.



4" CL 150/300 Buttweid



4" CL 300 RF Flanged



Dresser, Inc.

2822 S. 1030 W.

Salt Lake City, Utah 84119

Phone: 801.487.2225 Fax: 801.487.2587

www.dresser.com/mooney

