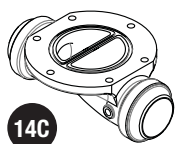


3" Flowgrid® Regulator & Shutoff Valve Assembly

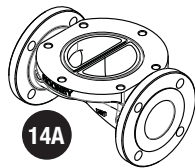
Parts List

Item	Description	Material	Part Number	Quantity
1	Nut	ANSI 2H	032-003-01	6
2	Capacity Tag	Brass	100-013-01	1
3	Spring Case	Carbon Steel	103-103-01	1
4	Main Spring			1
4A	Standard	Stainless Steel	103-111-01	
4B	Low Differential	Stainless Steel	103-117-01	
5	O-Ring	Nitrile	021-262-01	1
6	Diaphragm			1
6A	75 Durometer	Nitrile	103-105-01	
6B	60 Durometer	Nitrile	103-105-02	
6C	80 Durometer HI- ACN	Nitrile	103-105-03	
6D	80 Durometer Lo-ACN	Nitrile	103-105-04	
7	Spacer	Carbon Steel	103-106-01	1
8	O-Ring	Nitrile	021-364-01	1
9	Roll Pin	Stainless Steel	035-001-01	2
10	Throttle Plate			1
10A	100% Capacity Slotted	17-4 PH SST	103-102-01	
10B	75% Capacity Slotted	17-4 PH SST	103-119-01	
10C	50% Capacity Slotted	17-4 PH SST	103-110-01	
10D	35% Capacity Slotted	17-4 PH SST	103-121-01	
10E	100% Capacity Drilled Hole	A 515 w/ENC Coating	103-129-01	
10F	75% Capacity Drilled Hole	A 515 w/ENC Coating	103-130-01	
10G	50% Capacity Drilled Hole	A 515 w/ENC Coating	103-131-01	
10H	35% Capacity Drilled Hole	A 515 w/ENC Coating	103-132-01	
11	Body Seal	Nitrile	103-112-01	2
12	Shutoff Valve Assembly		603-006-01	1
13	Stud	ANSI B7	031-030-01	6
14	Body-Single Port			1
14A	3" CL 150 RF Flanged (SG-16)	Carbon Steel	103-108-01	
14B	3" CL 300 RF Flanged (SG-17)	Carbon Steel	103-109-01	
14C	3" CL 150/300 Butt weld (SG-61)	Carbon Steel	103-127-01	
15	3" Rebuild Kit (Items 6, 8, 11) (XX Indicate Diaphragm Durometer, Refer to Item 6)		603-028-XX	

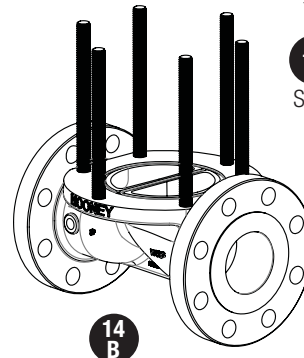
Boxed items indicate recommended spare parts.



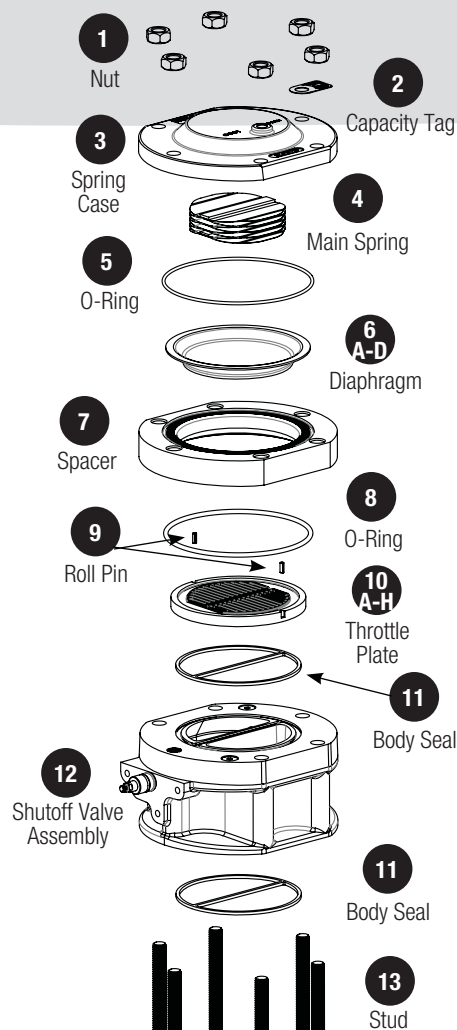
3" CL 150/300 Butt weld



3" CL 150 RF Flanged



3" CL 300 RF Flanged



Dresser, Inc.

2822 S. 1030 W.

Salt Lake City, Utah 84119

Phone: 801.487.2225 Fax: 801.487.2587

www.dresser.com/mooney

