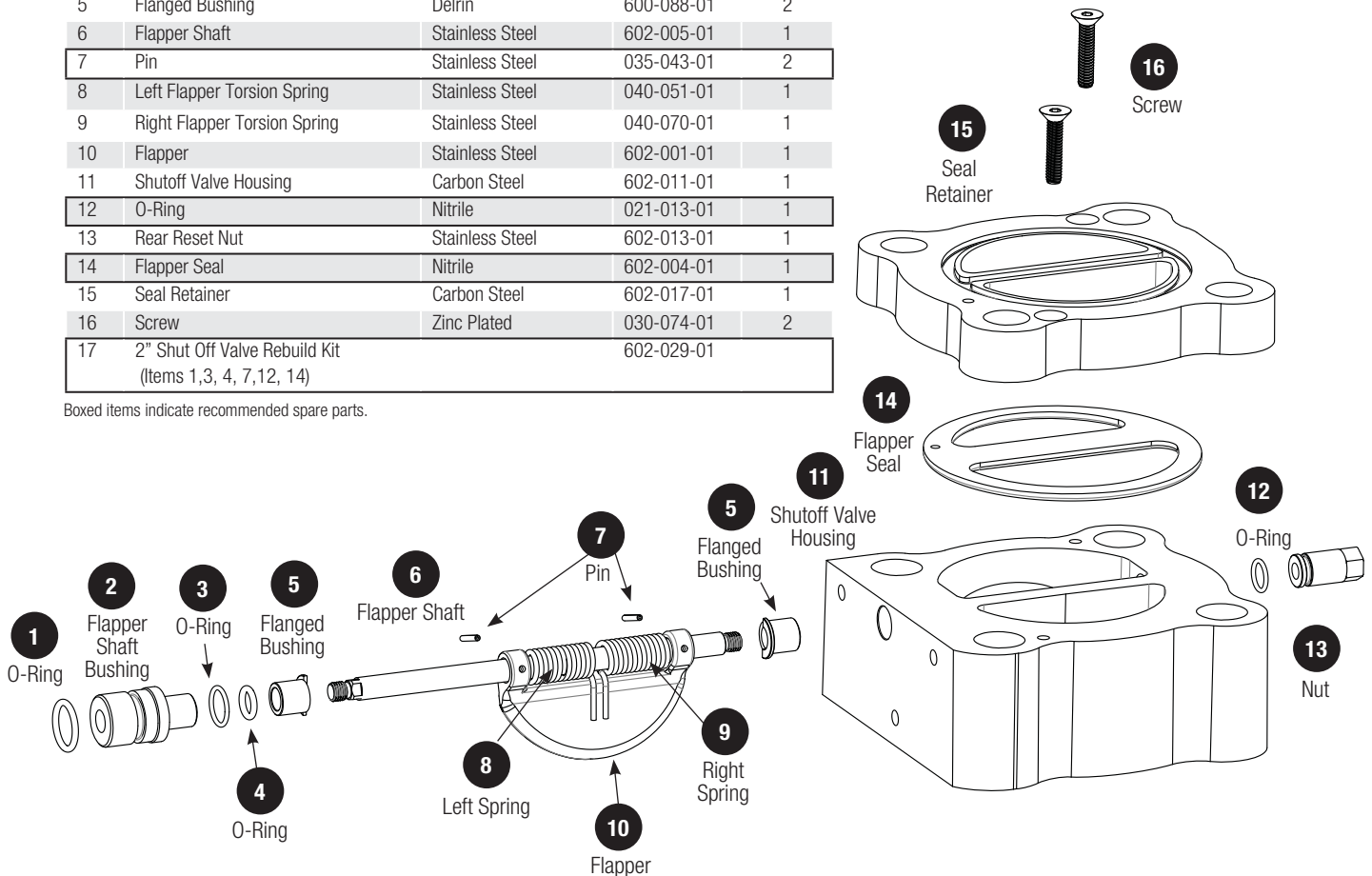


2" Shutoff Valve Assembly

Parts List

Item	Description	Material	Part Number	Quantity
1	O-Ring	Nitrile	021-115-01	1
2	Bushing, Flapper Shaft	Delrin	602-015-01	1
3	O-Ring	Nitrile	021-015-01	1
4	O-Ring	Nitrile	021-110-01	1
5	Flanged Bushing	Delrin	600-088-01	2
6	Flapper Shaft	Stainless Steel	602-005-01	1
7	Pin	Stainless Steel	035-043-01	2
8	Left Flapper Torsion Spring	Stainless Steel	040-051-01	1
9	Right Flapper Torsion Spring	Stainless Steel	040-070-01	1
10	Flapper	Stainless Steel	602-001-01	1
11	Shutoff Valve Housing	Carbon Steel	602-011-01	1
12	O-Ring	Nitrile	021-013-01	1
13	Rear Reset Nut	Stainless Steel	602-013-01	1
14	Flapper Seal	Nitrile	602-004-01	1
15	Seal Retainer	Carbon Steel	602-017-01	1
16	Screw	Zinc Plated	030-074-01	2
17	2" Shut Off Valve Rebuild Kit (Items 1,3, 4, 7,12, 14)		602-029-01	

Boxed items indicate recommended spare parts.



Dresser, Inc.

2822 S. 1030 W.
 Salt Lake City, Utah 84119
 Phone: 801.487.2225 Fax: 801.487.2587
www.dresser.com/mooney