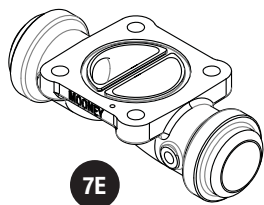
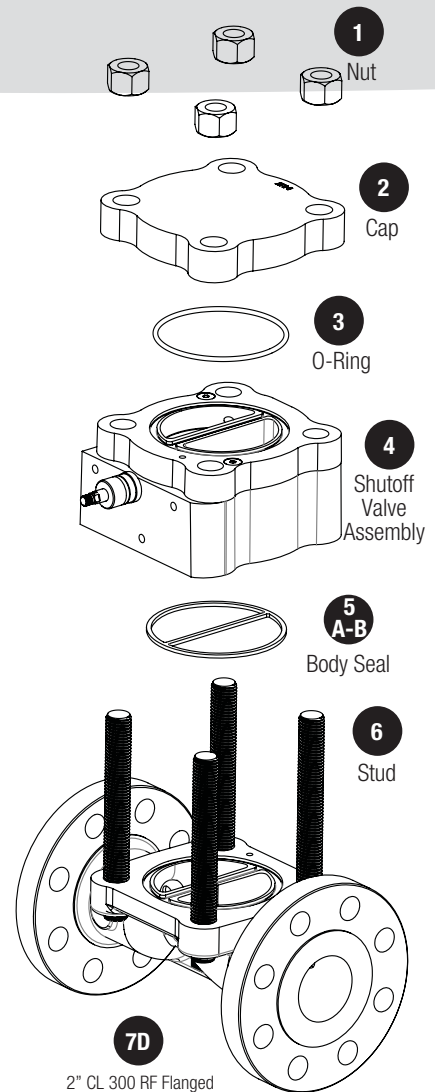


2" Mooney® Slam Shut Valve Assembly

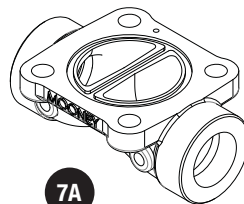
Parts List

Item	Description	Material	Part Number	Quantity
1	Nut	ANSI 2H	032-004-01	4
2	Cap	Carbon Steel	602-010-01	1
3	O-Ring	Nitrile	021-240-01	1
4	Shutoff Valve Assembly		602-019-01	1
5	Body Seal			1
5A	Nitrile	Nitrile	102-016-01	
5B	Viton®	Viton®	102-016-02	
6	Stud	ANSI B7	031-034-01	4
7	Body- Standard Single Port			1
7A	2" NPT End Connection (SA-1)	Carbon Steel	102-002-01	
7B	2" SWE Connection (SA-2)	Carbon Steel	102-020-01	
7C	2" CL 150 RF Flanged (SA-3)	Carbon Steel	102-008-01	
7D	2" CL 300 RF Flanged (SA-4)	Carbon Steel	102-006-01	
7E	2" Butt weld End Connection (SA-76)	Carbon Steel	102-054-01	
8	2" Flowgrid Body and Shutoff Valve Spare Parts Kit (Items 3, 5)		602-030-01	

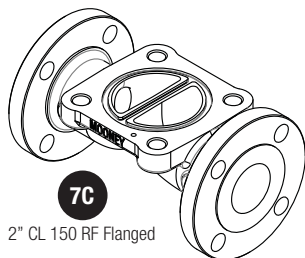
Boxed items indicate recommended spare parts.



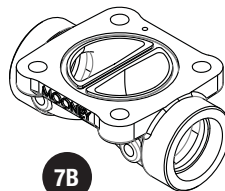
2" Butt weld End Connection



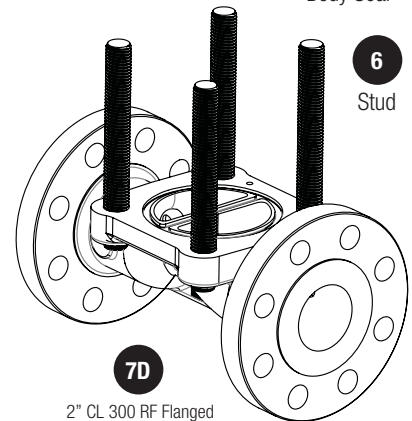
2" NPT End Connection



2" CL 150 RF Flanged



2" SWE Connection



2" CL 300 RF Flanged

Dresser, Inc.

2822 S. 1030 W.
 Salt Lake City, Utah 84119
 Phone: 801.487.2225 Fax: 801.487.2587
www.dresser.com/mooney