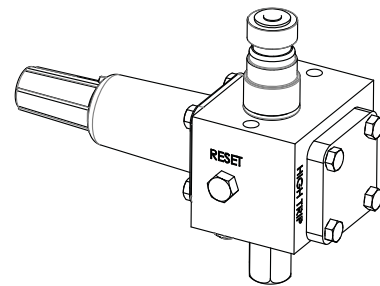


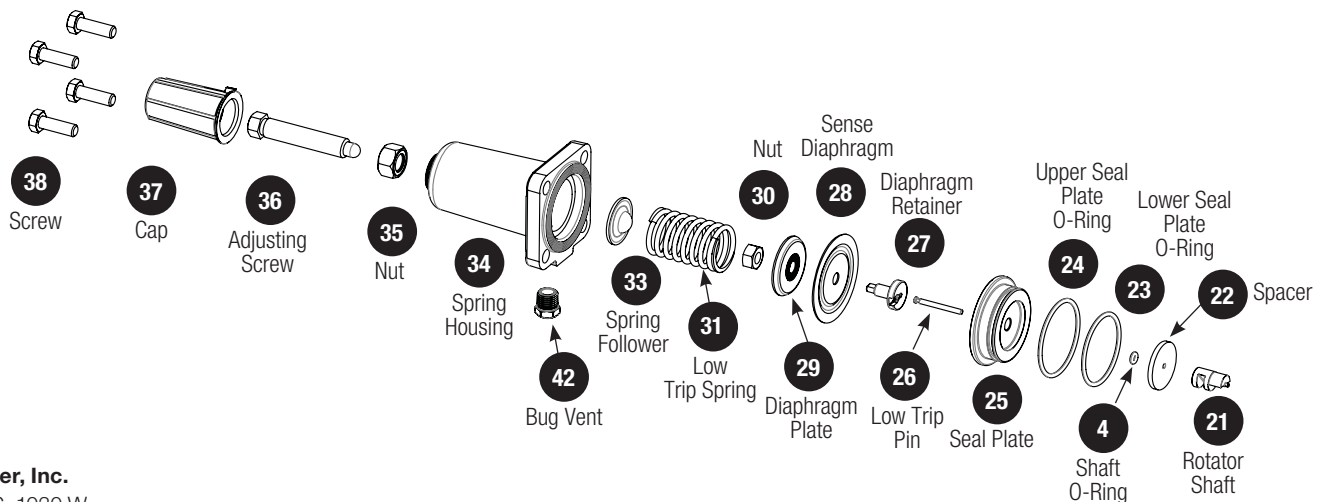
1" Series 41 Under Pressure Actuator Assembly

Parts List

Item	Description	Material	Part Number	Quantity
1	Actuator Housing	Aluminum	601-003-01	1
2	Reset Shaft	Stainless Steel	601-027-01	1
3	Spring Cover Plate	Aluminum	601-029-01	1
4	Shaft O-Ring	Nitrile	021-104-01	2
5	Spring Plate Washer	Stainless Steel	034-035-01	1
6	Spring Plate Outer O-Ring	Nitrile	021-116-01	2
7	Spring Cover O-Ring	Nitrile	021-123-01	1
8	Main Shaft	Stainless Steel	601-026-01	1
9	Spring Cover	Aluminum	601-008-01	1
10	Main Spring	Steel	040-069-01	1
11	Plug	Stainless Steel	601-011-01	1
12	Plug Seal 95 Duro 80 Duro Lo ACN	Nitrile	601-023-01 601-023-02	1
13	Plug Washer	Stainless Steel	034-037-01	1
14	Plug Screw	Carbon Steel	030-045-01	1
15	Shaft Guide O-Ring	Nitrile	021-118-01	1
16	Shaft Guide	Delrin	601-028-01	1
17	End Cap	Lexan	601-034-01	1
18	Reset Plug	Zinc Plated Steel	601-037-01	1
19	Reset Pin	Stainless Steel	601-036-01	1
20	Sense Port Adapter	Zinc Plated Steel	010-196-01	1
21	Rotator Shaft	Stainless Steel	601-005-01	1
22	Spacer	Stainless Steel	601-033-01	1
23	Lower Seal Plate O-Ring	Nitrile	021-132-01	1
24	Upper Seal Plate O-Ring	Nitrile	021-134-01	1



Assembled View



Dresser, Inc.

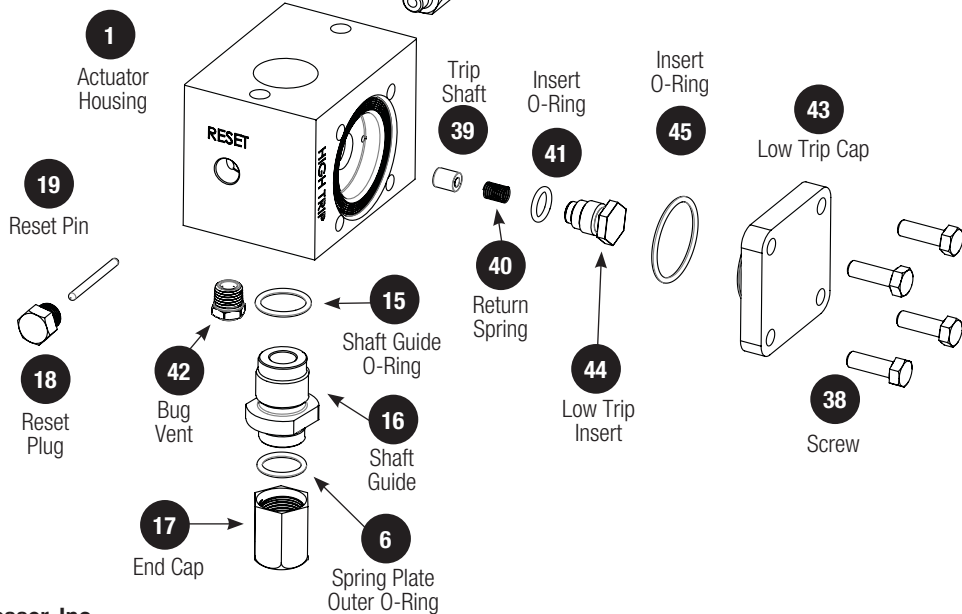
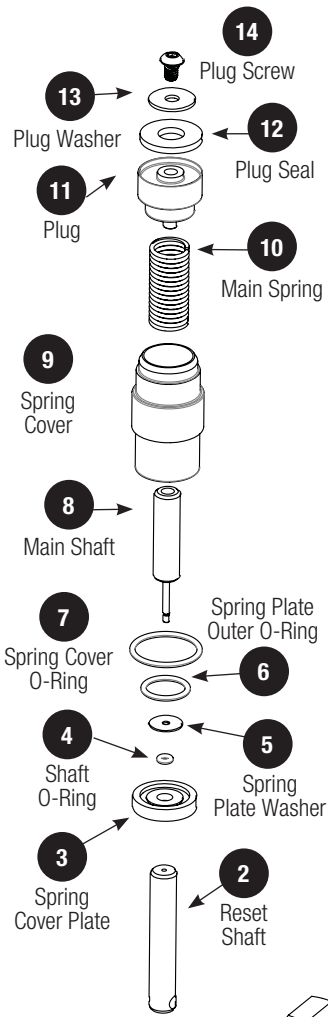
2822 S. 1030 W.

Salt Lake City, Utah 84119

Phone: 801.487.2225 Fax: 801.487.2587

www.dresser.com/mooney





Item	Description	Material	Part Number	Quantity
25	Seal Plate	Stainless Steel	601-019-01	1
26	Low Trip Pin	Stainless Steel	601-017-01	1
27	Diaphragm Retainer	Stainless Steel	601-015-01	1
28	Sense Diaphragm	Nitrile	201-009-01	1
29	Diaphragm Plate	Stainless Steel	201-011-04	1
30	Nut, 5/16 - 18 UNC	Stainless Steel	032-001-01	1
31	Under Pressure Trip Spring			1
32A	Red 5-10 psi	Steel	040-014-01	
32B	Silver 10-40 psi	Steel	040-011-01	
32C	Blue 40-90 psi	Steel	040-012-01	
32D	Purple 90-175 psi	Steel	040-008-01	
32E	Black 175-250 psi	Steel	040-009-01	
32F	White/Green 250-450 psi	Steel	040-020-01	
33	Spring Follower	Stainless Steel	201-020-01	1
34	Spring Housing	Aluminum	600-074-01	1
35	Nut, Self-Sealing (1/2 - 13)	Steel/Nitrile	033-001-01	1
36	Adjusting Screw	Plated Steel	201-025-01	1
37	Cap	ABS Plastic	201-023-01	1
38	Screw (5/16 - 18)	Stainless Steel	030-017-01	8
39	Trip Shaft	Stainless Steel	601-007-01	1
40	Return Spring	Stainless Steel	040-076-01	1
41	Insert O-Ring	Nitrile	021-112-01	1
42	Bug Vent	Plastic	201-072-01	2
43	Low Trip Cap	Aluminum	601-046-01	1
44	Low Trip Insert	Stainless Steel	601-047-01	1
45	Insert O-Ring	Nitrile	021-128-01	1
46	1" Slam Shut Under Pressure Actuator Rebuild Kit (Items 4, 6, 7, 12, 15, 23, 24, 28, 41, 45)		601-039-01	

Boxed items indicate recommended spare parts.

Dresser, Inc.

2822 S. 1030 W.
 Salt Lake City, Utah 84119
 Phone: 801.487.2225 Fax: 801.487.2587
 www.dresser.com/mooney



www.dresser.com

1" Series 41_Under Pressure Actuator Assy_Parts List
 6.10