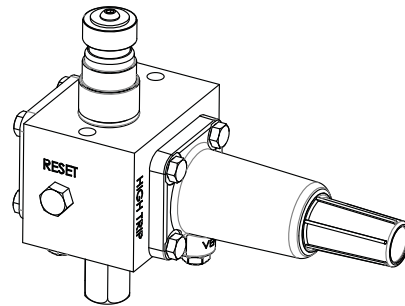


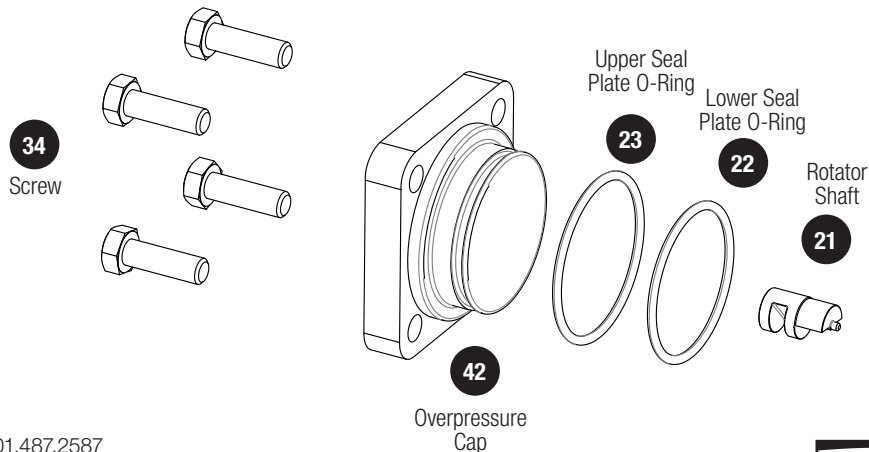
# 1" Series 41 Over Pressure Actuator Assembly

## Parts List

Item	Description	Material	Part Number	Quantity
1	Actuator Housing	Aluminum	601-003-01	1
2	Reset Shaft	Stainless Steel	601-027-01	1
3	Spring Cover Plate	Aluminum	601-029-01	1
4	Shaft O-Ring	Nitrile	021-104-01	1
5	Spring Plate Washer	Stainless Steel	034-035-01	1
6	Spring Plate Outer O-Ring	Nitrile	021-116-01	2
7	Spring Cover O-Ring	Nitrile	021-123-01	1
8	Main Shaft	Stainless Steel	601-026-01	1
9	Spring Cover	Aluminum	601-008-01	1
10	Main Spring	Steel	040-069-01	1
11	Plug	Stainless Steel	601-011-01	1
12	Plug Seal	95 Duro	601-023-01	1
		80 Duro Lo ACN	601-023-02	
13	Plug Washer	Stainless Steel	034-037-01	1
14	Plug Screw	Carbon Steel	030-045-01	1
15	Shaft Guide O-Ring	Nitrile	021-118-01	1
16	Shaft Guide	Delrin	601-028-01	1
17	End Cap	Lexan	601-034-01	1
18	Reset Plug	Zinc Plated Steel	601-037-01	1
19	Reset Pin	Stainless Steel	601-036-01	1
20	Sense Port Adapter	Zinc Plated Steel	010-196-01	1
21	Rotator Shaft	Stainless Steel	601-005-01	1
22	Lower Seal Plate O-Ring	Nitrile	021-132-01	1
23	Upper Seal Plate O-Ring	Nitrile	021-134-01	1
24	Diaphragm Retainer	Stainless Steel	601-015-01	1
25	Sense Diaphragm	Nitrile	201-009-01	1



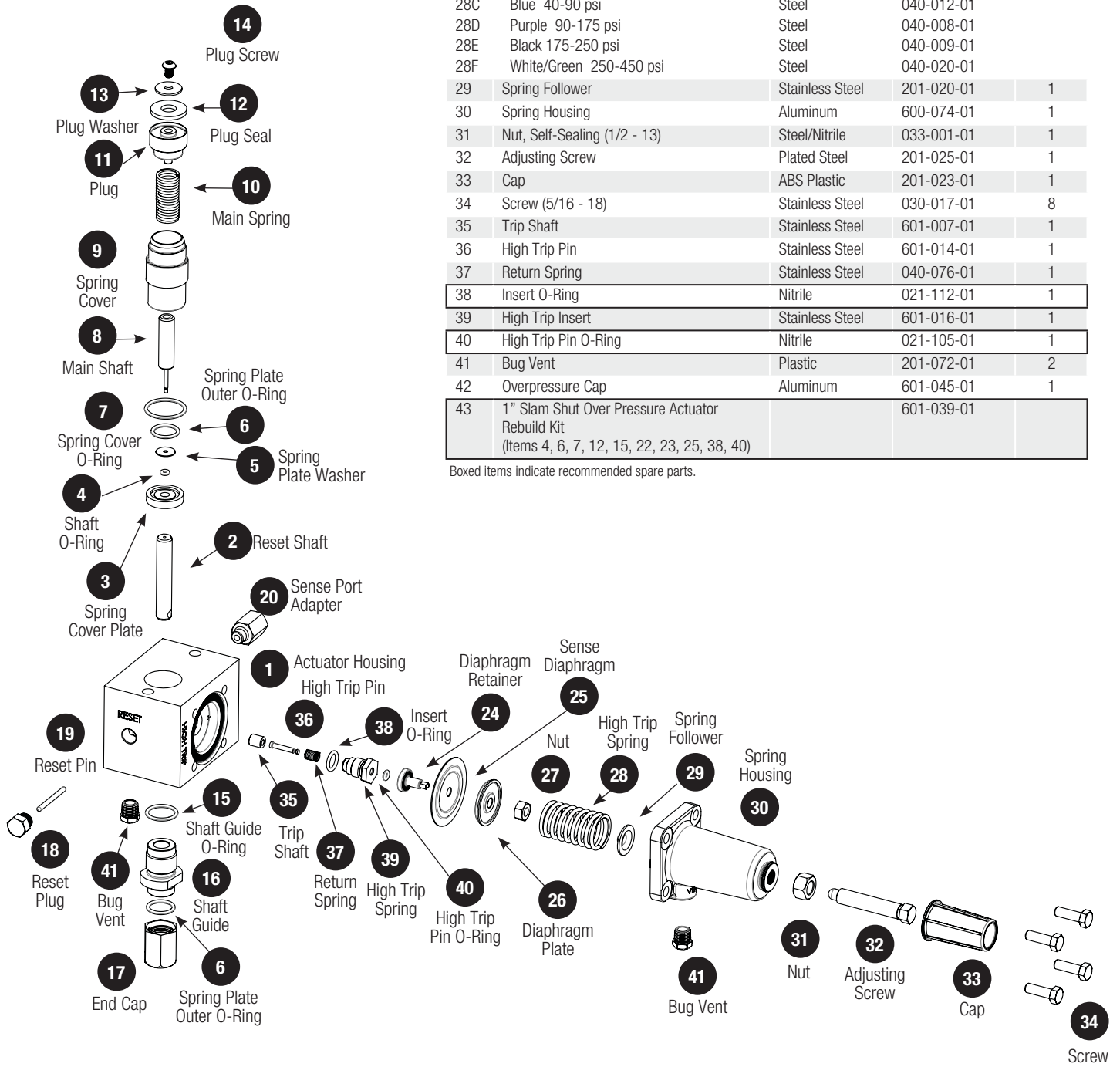
Assembled View



**Dresser, Inc.**  
 2822 S. 1030 W.  
 Salt Lake City, Utah 84119  
 Phone: 801.487.2225 Fax: 801.487.2587  
[www.dresser.com/mooney](http://www.dresser.com/mooney)

Item	Description	Material	Part Number	Quantity
26	Diaphragm Plate	Stainless Steel	201-011-04	1
27	Nut, 5/16 - 18 UNC	Stainless Steel	032-001-01	1
28	Over Pressure Trip Spring			1
28A	Red 5-10 psi	Steel	040-014-01	
28B	Silver 10-40 psi	Steel	040-011-01	
28C	Blue 40-90 psi	Steel	040-012-01	
28D	Purple 90-175 psi	Steel	040-008-01	
28E	Black 175-250 psi	Steel	040-009-01	
28F	White/Green 250-450 psi	Steel	040-020-01	
29	Spring Follower	Stainless Steel	201-020-01	1
30	Spring Housing	Aluminum	600-074-01	1
31	Nut, Self-Sealing (1/2 - 13)	Steel/Nitrile	033-001-01	1
32	Adjusting Screw	Plated Steel	201-025-01	1
33	Cap	ABS Plastic	201-023-01	1
34	Screw (5/16 - 18)	Stainless Steel	030-017-01	8
35	Trip Shaft	Stainless Steel	601-007-01	1
36	High Trip Pin	Stainless Steel	601-014-01	1
37	Return Spring	Stainless Steel	040-076-01	1
38	Insert O-Ring	Nitrile	021-112-01	1
39	High Trip Insert	Stainless Steel	601-016-01	1
40	High Trip Pin O-Ring	Nitrile	021-105-01	1
41	Bug Vent	Plastic	201-072-01	2
42	Overpressure Cap	Aluminum	601-045-01	1
43	1" Slam Shut Over Pressure Actuator Rebuild Kit (Items 4, 6, 7, 12, 15, 22, 23, 25, 38, 40)		601-039-01	

Boxed items indicate recommended spare parts.



**Dresser, Inc.**  
 2822 S. 1030 W.  
 Salt Lake City, Utah 84119  
 Phone: 801.487.2225 Fax: 801.487.2587  
 www.dresser.com/mooney

©2010 Dresser, Inc. All rights reserved.



**www.dresser.com**  
 Over Pressure Valve Assembly\_Parts List  
 6.10