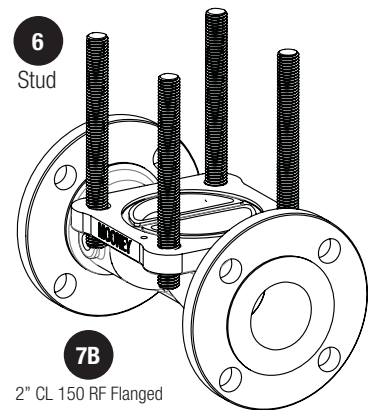
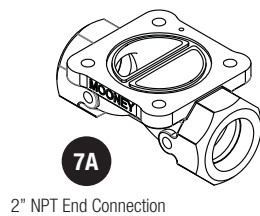
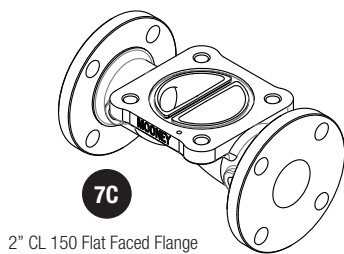
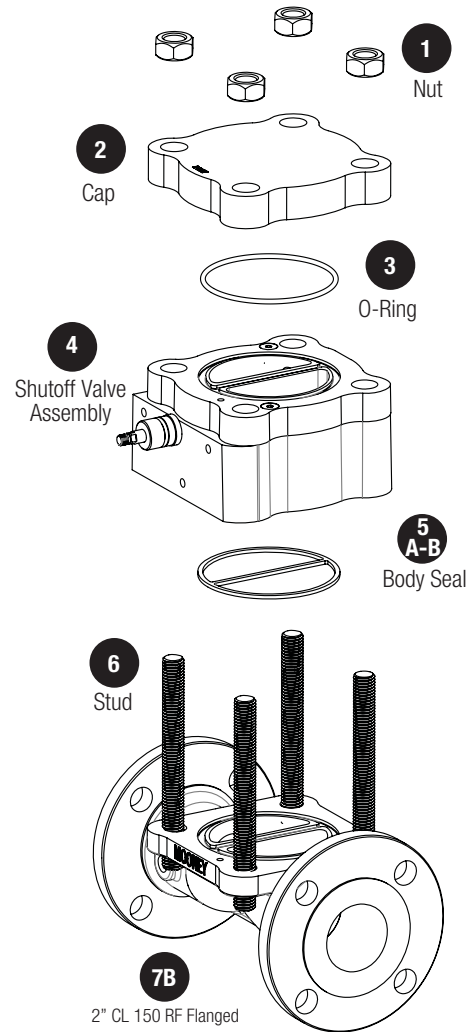


# 2" Mooney® 250 Slam Shut Valve Assembly

## Parts List

Item	Description	Material	Part Number	Quantity
1	Nut	ANSI 2H	032-003-01	4
2	Cap	Carbon Steel	602-010-01	1
3	O-Ring	Nitrile	021-240-01	1
4	Shutoff Valve Assembly		602-019-01	1
5	Body Seal			1
5A	Nitrile	Nitrile	102-016-01	
5B	Viton®	Viton®	102-016-02	
6	Stud	ANSI B7	031-033-01	4
7	Body Single Port			1
7A	2" NPT End Connection D.I. (SA-82)	Ductile Iron	122-002-01	
7B	2" CL 150 RF Flanged D.I. (SA-83)	Ductile Iron	122-009-01	
7C	2" CL 150 Flat Face Flanged D.I. (SA-84)	Ductile Iron	122-010-01	
8	2" Flowgrid Body and Shutoff Valve Spare Parts Kit (Items 3, 5)		602-030-01	

Boxed items indicate recommended spare parts.



**Dresser, Inc.**

2822 S. 1030 W.  
Salt Lake City, Utah 84119  
Phone: 801.487.2225 Fax: 801.487.2587  
www.dresser.com/mooney