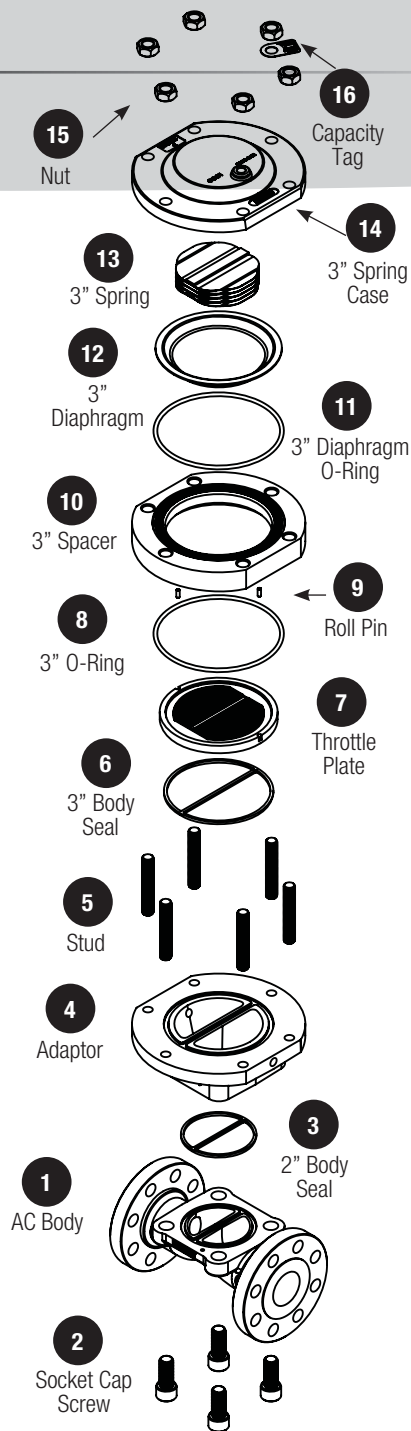


# 2" Added Capacity Port

Flanged CL 150, 300, 600 NPT &amp; SWE CL 600

## Parts List

Item	Description	Material	Part Number	Quantity
1	2" Flowgrid AC Body 2" Class 150 AC Body, RF Flange (FG-119) 2" Class 300 AC Body, RF Flange (FG-120) 2" Class 600 AC Body, RF Flange (FG-121)	A216 GR WCB	102-196-01 102-199-01 102-202-01	1
1b	2" SWE AC Body 2" NPT AC Body 2" Buttweld AC Body (FG-121)	A216 GR WCB	102-200-01 102-201-01 102-054-01	1
2	Socket Cap Screw 3/4-10 UNC x 1.75 Long	A574 Steel	030-101-01	4
2b	Shoulder Bolt 3/4-10 UNC x 2.0 Long	A574 Steel	030-102-01	4
3	2" Body Seal	Nitrile	102-016-01	1
4	Adaptor 2"-3" Class 150/300 Adaptor 2"-3" Class 600	A216 GR WCB	102-193-01 102-194-01	1
5	Stud, 5/8-11 UNC-A x 3-3/4 Class 150/300 Class 600	ANSI B-7	031-014-01 031-014-01	6 10
6	3" Body Seal	Nitrile	103-112-01	1
7	3" Throttle Plate Slotted Stepped Drilled	17-4PH SST A515 with ENC Coating	103-102-01 103-187-01	1
8	Spacer O-Ring	Nitrile	021-364-01	2
9	Roll Pin, 3/16" Dia x 1/2"	Steel	035-001-01	2
10	3" Spacer Class 150/300 Class 600	Carbon Steel	103-106-01 103-107-01	1
11	3" Diaphragm O-Ring	Nitrile	021-262-01	1
12	3" Diaphragm 75 Durometer 60 Durometer 80 Durometer 80L Durometer	Nitrile/Nylon	103-105-01 103-105-02 103-105-03 103-105-04	1
13	3" Main Spring Standard Low Differential	301 Stainless Steel	103-111-01 103-117-01	1
14	3" Spring Case Class 150/300 Class 600	A216 GR WCB	103-103-01 103-104-01	1
15	Nut, 5/8-11, UNC-A Grade 2H Class 150/300 Class 600	ANSI 2H	032-003-01 032-003-01	6 10
16	Capacity Tag	Brass	100-013-01	1


**Dresser, Inc.**

2822 S. 1030 W.

Salt Lake City, Utah 84119

Phone: 801.487.2225 Fax: 801.487.2587

[www.dresser.com/mooney](http://www.dresser.com/mooney)
