

Model FD-1500 Filter-Dryer

Provides Filtration and Moisture Protection for All Becker Control Instrumentation

Description

The Becker Model FD-1500 Filter Dryer filters and dehydrates supply gas for all Becker control instrumentation. The FD-1500 provides superior filtration and dehydration with 110 in² of 10μ filtering media and 2.0 lbs. of silica gel. The FD-1500 incorporates an easy-to-replace spin on cartridge made up of a high quality, high capacity nylon and fiberglass filter element reinforced with stainless steel mesh. All FD-1500s are fully hydrotested to two and a half times the working pressure to ensure pressure vessel integrity.

Features

- Protects from excessive moisture, freezing and dirt.
- Hydrostatically tested to 2,250 psig to guarantee no leaks
- Incorporates built-in 2" pipe mount bracket standard
- Features a spin-on replacement cartridge for easy change out.
- Machined (square) end of housing provides easy internal access with an ordinary adjustable wrench
- High capacity silica gel absorbs up to 2.0 lbs. of moisture.
- Superior capacity filter element.
- Quick change cartridge easily replaced.



Figure 1 - FD-1500 Filter Dryer

Table 1 - FD-1500 Specifications

Specifications	
MAOP	1500 psig (10,340 Kpa)
Flow Capacity	50 SCFM (1.4 m ³ /hr)
Max. Temp	10μ nominal (110 in ² filtration media)
Dehydration	2 lbs. (0.9 kg) silica gel water absorption
Body	Carbon steel
Inlet Port	1/4" NPT
Outlet Port	1/4" NPT
Drain	1/4" NPT
Dimensions	20" (508 mm) length 4-1/2" (114 mm) diameter
Mounting	2" pipe mount standard for all loose equipment custom bracket
Weight	29 lbs. (13 kg)

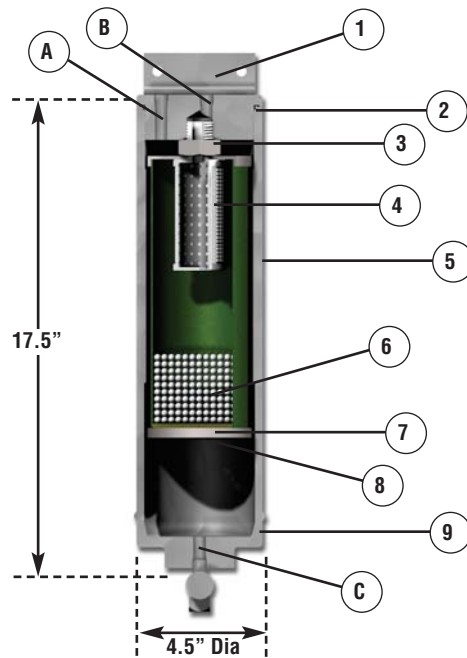


Figure 2 - FD-1500 (cutaway view)

Cutaway view of the FD-1500 illustrates main components and inner workings. The FD-1500 is equipped with a high quality screen-reinforced nylon and fiberglass filtering media to prevent contaminants from damaging downstream instrumentation. Additionally, the FD-1500 carries enough desiccant drying media to absorb up to 2.0 lbs. of entrained moisture. The FD-1500 assembly contains a simple replacement cartridge that incorporates filtration and drying in one convenient module.

Table 2 - FD-1500 Components

Item	Description	Material	Part No.
1	Top Filter Flange	Carbon Steel	21-3012
2	O-ring (filter housing)	Buna-N	95-2652
3	O-ring (replacement cartridge)	Buna-N	95-2653
4	Replacement Cartridge (includes O-ring)	PVC Tube external w/aluminum threads	21-3009
5	Filter Housing	Carbon Steel	21-3021
6	Silica Gel		21-0100
7	Plug	Plated Steel	
8	Course Filter Element		22-2510
9	Needle Valve	Stainless Steel	20-2926

Table 3 -FD-1500 Port Definitions

Port ID	Description	Port Size
A	Inlet	1/4" FNPT
B	Outlet	1/4" FNPT
C	Drain	1/4" FNPT

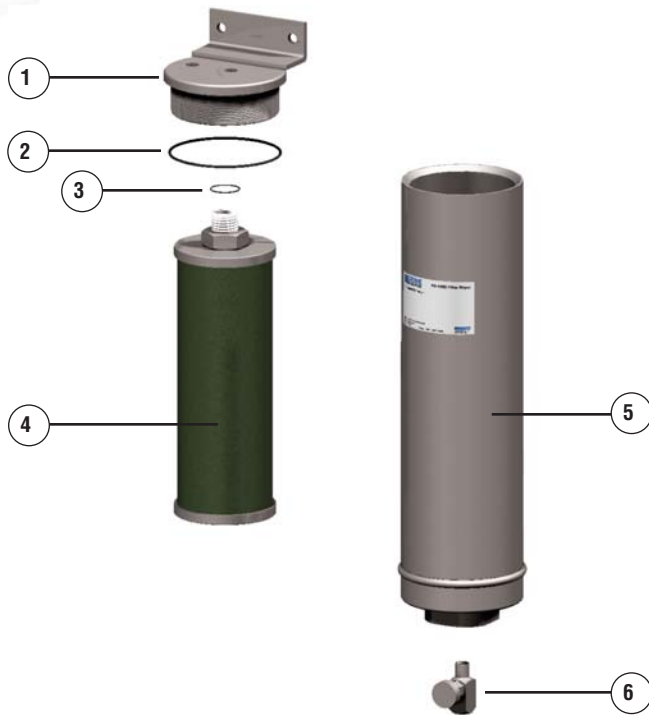


Figure 3 - FD-1500 Filter-Dryer (exploded view)
Exploded view of the FD-1500 illustrates the unit's simplicity.

Table 4 - FD-1500 Components

Item	Description	Material	Part No.
1	Top Filter Flange	Carbon Steel	21-3012
2	O-ring (filter housing)	Buna-N	95-5652
3	O-ring (replacement cartridge)	Buna-N	95-2653
4	Replacement Cartridge (includes O-rings)	PVC Tube external w/aluminum threads	21-3030
5	Filter Housing	Carbon Steel	21-3021
6	Needle Valve (optional)	Stainless Steel	20-2926

Models Available

FD-1500 Filter Dryer
FD-1500 Replacement Cartridge

Part Number 21-3010
Part Number 21-3009

Becker's Model FD-1 Supply Gas System Incorporates the FD-1500

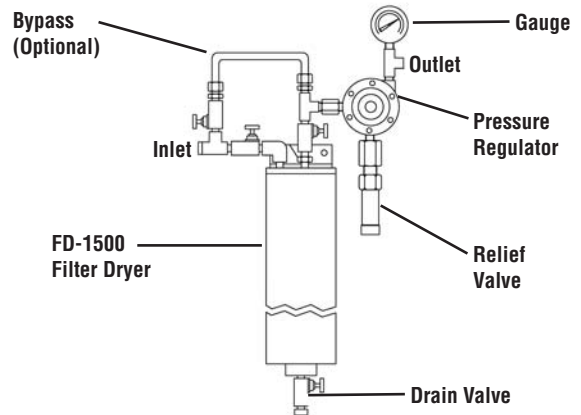


Figure 4 - Becker's Model FD-1 supply gas system incorporates the FD-1500
The FD-1 provides an economical supply gas system with complete regulation, filtration, dehydration, and relief in a single package.

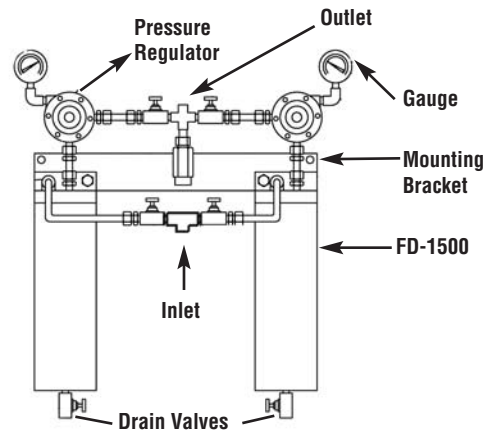


Figure 5 - Becker's Model FD-2 supply gas system incorporates two FD-1500s.
The FD-2 provides a top-of-the-line supply gas system with complete redundancy of regulation and filtration.

**Becker Precision Equipment
Dresser, Inc.**

1550 Greenleaf Avenue
Elk Grove Village, Illinois 60007 USA
Ph: 847.437.5940 Fax: 847.437.2549
Toll Free Phone: 800.323.8844 Email: becker@dresser.com



www.dresser.com