

EAGLE® LINEAR ACTUATORS



FEATURES

- Non-rotating drive rod
- Non-backdriving
- All metal gearing
- Compact with electromechanical repeatability
- Simple to mount; easy to wire
- Comparable cost to pneumatic or hydraulic systems
- Equivalent in size to hydraulic or pneumatic cylinders
- Operating range -40°F to +150°F

	Temperature Range
Ambient: -40°F to +150°F	
	Motor Data
115V, 1Ph, 2.6A* 230V, 3Ph, .52A* 460V, 3Ph, .26A* 575V, 3Ph, .22A* CSA approval Class B Insulation NEMA "D" design	

* Full load current (Amps).

STANDARD EQUIPMENT

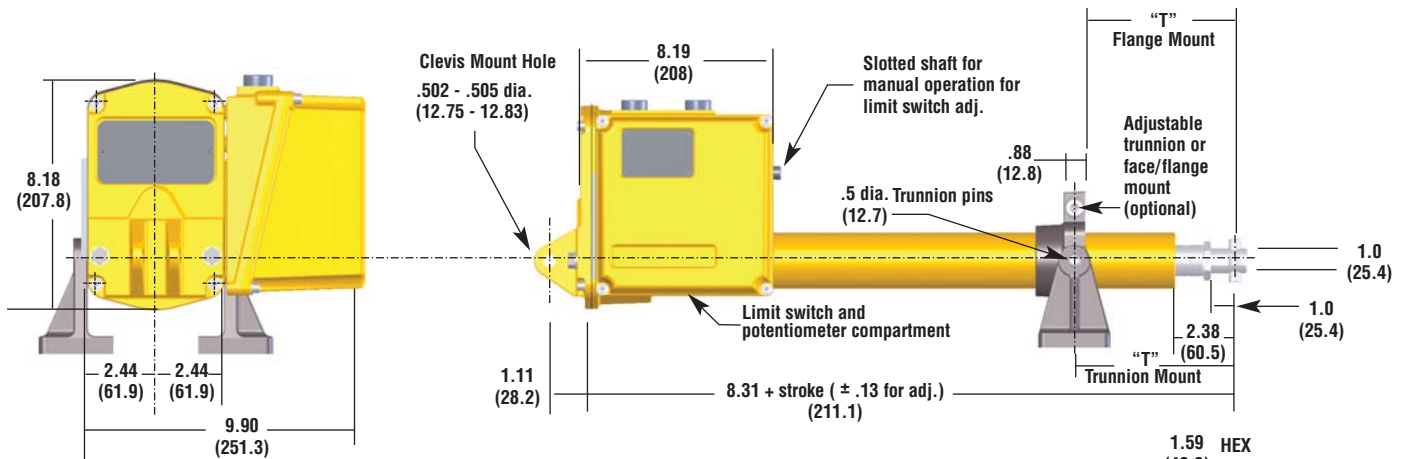
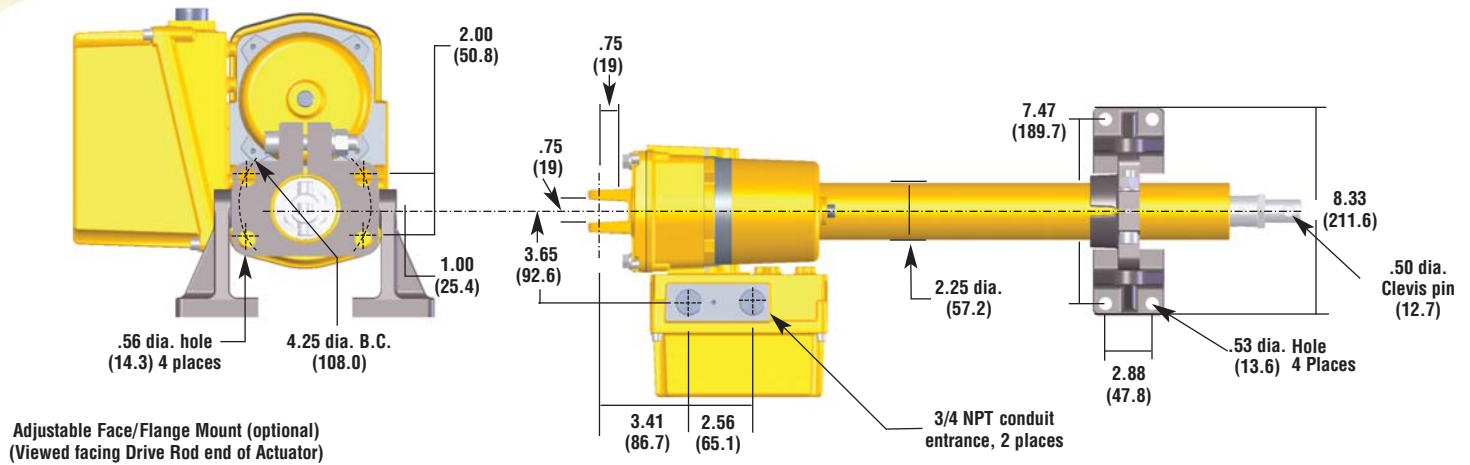
- Thermal switch in motor winding
- Two independently adjustable, gear driven position limit switches with all metal gearing
- Nickel-plated drive rod
- Clevis and pin on drive rod end
- Weatherproof and/or Dust-Ignition proof (Class II, Division 1 & 2, Groups E, F and G) enclosure
- Anti-friction bearings on all drive components
- All metal gearing
- Cast aluminum construction
- Clevis mount on the motor end
- Permanently lubricated for maintenance-free operation
- Heavy duty industrial motor; 115 VAC, 60 Hz, single phase, TENV, permanent split capacitor, high starting torque, low inertia

OPTIONAL EQUIPMENT

- 230 VAC, 460 VAC and 575 VAC, 60 Hz, 3 Phase Motor
- Potentiometer (all metal gear driven)
- Integral position process control board for modulating applications (various communication protocols are available)
- 4-20mA Position Transmitter
- Adjustable trunnion mount and trunnion brackets
- Adjustable face/flange mount
- Manual override

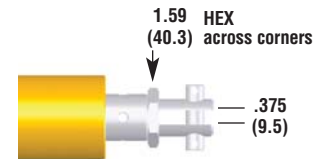


DIMENSIONS



NOTES

1. Unbracketed dimensions are in inches
2. Bracketed dimensions () are in millimeters
3. Dimensions shown with actuator fully retracted



EAGLE ELECTRICAL CYLINDER PERFORMANCE

3100 Series				
Velocity (in./sec.)	Breakaway Force (lbs)	Running Force (lbs. at 5% duty)	Weight Range (lbs.)	Stroke (in.)
0.2	2000	1000	35-75	6, 12
0.4	1500	750		18, 24
0.8	750	340		30 & 36
2.0	500	200		

ADJUSTABLE TRUNNION OR FACE/FLANGE

"T" Adjustable Dimension		
Stroke	Inches	Millimeters
6	2.38 - 2.88	(60.45 - 73.15)
12	2.38 - 8.00	(60.45 - 203.20)
18	2.38 - 14.00	(60.45 - 355.60)
24	5.38 - 20.00	(136.65 - 508.00)
30	11.38 - 26.00	(289.05 - 660.40)
36	17.38 - 32.00	(441.45 - 812.80)

Industrial Products Group Dresser, Inc.

16240 Port Northwest Dr.
Houston, TX 77041-2645
Ph: 832.590.2306
Toll Free Phone: 800.945.9898

Fax: 713.849.2879
Email: andco@dresser.com

